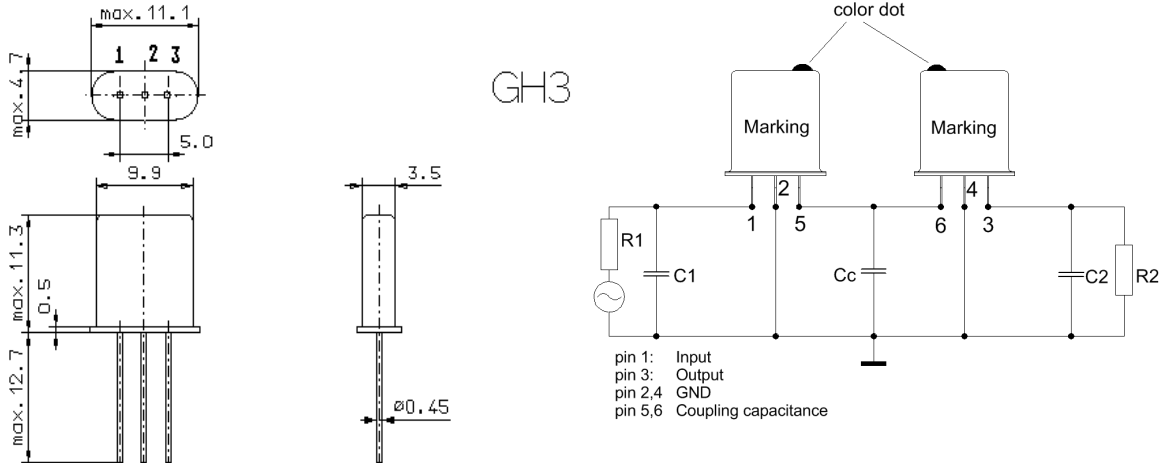


Specification for monolithic crystal filter:

MQF 10.7-1200/02

1. General

1.1. Package: 2 x GH 3 (each filter consists of a pair of two matched duals)



- | | |
|-----------------------------------|------------------|
| 1.2. Type name: | MQF 10.7-1200/02 |
| 1.3. Number of poles: | 4 |
| 1.4. Operating temperature range: | -40°C to +85°C |
| 1.5. Storage temperature range: | -55°C to +85°C |

2. Electric values

- | | |
|---|---|
| 2.1. Nominal centre frequency f_0 : | 10.7 MHz |
| 2.2. Pass band | |
| 2.2.1. Bandwidth between 3 dB - frequencies: | $\geq f_0 \pm 6.0$ kHz |
| 2.2.2. Ripple: | ≤ 1.5 dB at $f_0 \pm 4.0$ kHz |
| 2.2.3. Insertion loss:
(measured on smallest attenuation in pass band) | ≤ 2.5 dB |
| 2.3. Stop band | |
| 2.3.1. $f_0 \pm 20$ kHz | ≥ 40 dB |
| 2.3.2. $f_0 \pm 300$ kHz | ≥ 60 dB |
| 2.4. Terminating impedance (input and output): | $1800 \Omega // 2.5$ pF |
| 2.4.1. Coupling capacitance C_c : | 8.2 pF |
| 3. Marking: | manufacturer, date code
10.7-1200/02 |
| 4. Environment conditions: | Corresponding to Vectron CF001 |

Edited by: _____ date: _____ name: _____

