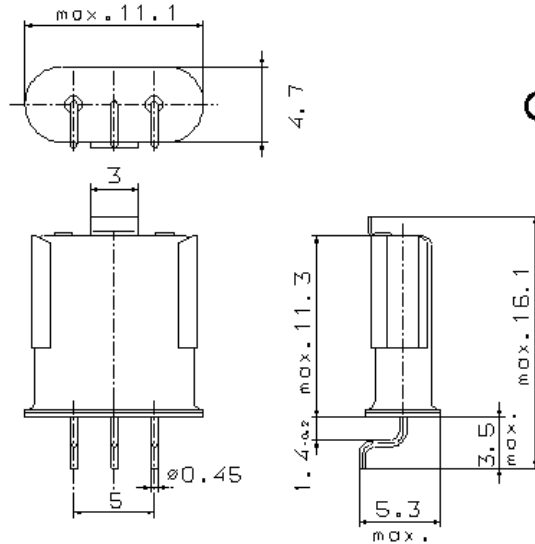


Specification for monolithic crystal filter:

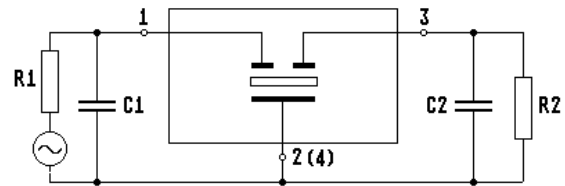
MQF 10.7-1500/52

1. General

1.1. Package:



GH3SC



- 1.2. Type name: MQF 10.7-1500/52
- 1.3. Number of poles: 2
- 1.4. Operating temperature range: -20°C to +70°C
- 1.5. Storage temperature range: -35°C to +85°C

2. Electric values

- 2.1. Nominal centre frequency f_0 : 10.7 MHz

2.2. Pass band

- 2.2.1. Bandwidth between 3 dB - frequencies: $> f_0 \pm 7.5$ kHz
- 2.2.2. Ripple in pass band: < 0.5 dB (peak to peak)
- 2.2.3. Insertion loss: < 2.0 dB
(measured on smallest attenuation in pass band)

2.3. Stop band

- 2.3.1. $f_0 \pm 25$ kHz > 18 dB
- 2.3.2. Alternate attenuation $f_0 \pm 1$ MHz > 40 dB (except spurious)
- 2.3.3. Spurious responses within $f_0 \pm 1$ MHz > 18 dB

- 2.4. Terminating impedance (input and output): $3000 \Omega // 2.5$ pF

- 3. Marking: manufacturer, date code
10.7-1500/52

- 4. Environment conditions: Corresponding to Vectron standard CF001

Edited by: _____ date: _____ name: _____