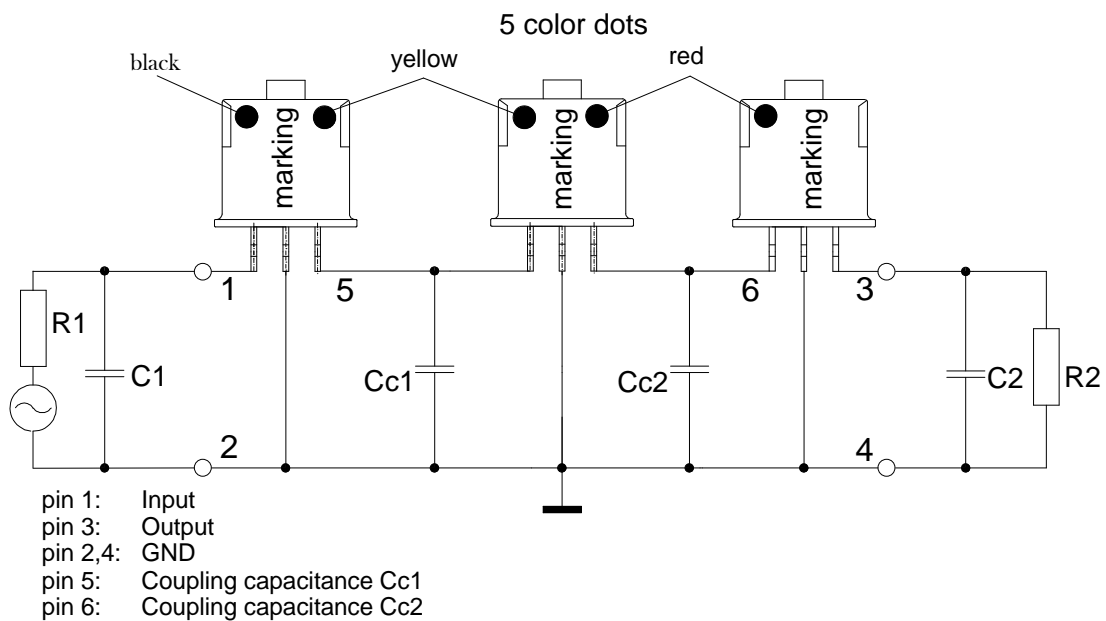
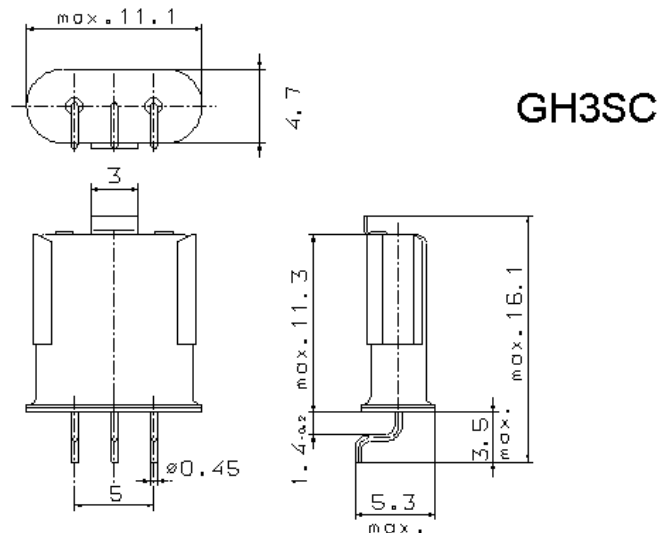


Specification for monolithic crystal filter: **MQF 10.7-2200/15**

1. General

1.1. Package: 3 x GH3SC (each filter consists of 3 pcs. of matched HC49/U-duals)



- | | |
|-----------------------------------|------------------|
| 1.2. Type name: | MQF 10.7-2200/15 |
| 1.3. Number of poles: | 6 |
| 1.4. Operating temperature range: | -40°C to +85°C |
| 1.5. Storage temperature range: | -55°C to +105°C |

2. Electric values

- | | |
|-----------------------------------|----------|
| 2.1. Nominal centre frequency fo: | 10.7 MHz |
|-----------------------------------|----------|

2.2. **Pass band**

- 2.2.1. Bandwidth between 3 dB - frequencies: $\geq f_0 \pm 11.0$ kHz
- 2.2.2. Ripple (at $f_0 \pm 8.0$ kHz): ≤ 1.0 dB
- 2.2.3. Insertion loss: ≤ 2.0 dB
(measured on smallest attenuation in pass band)

2.3. **Stop band**

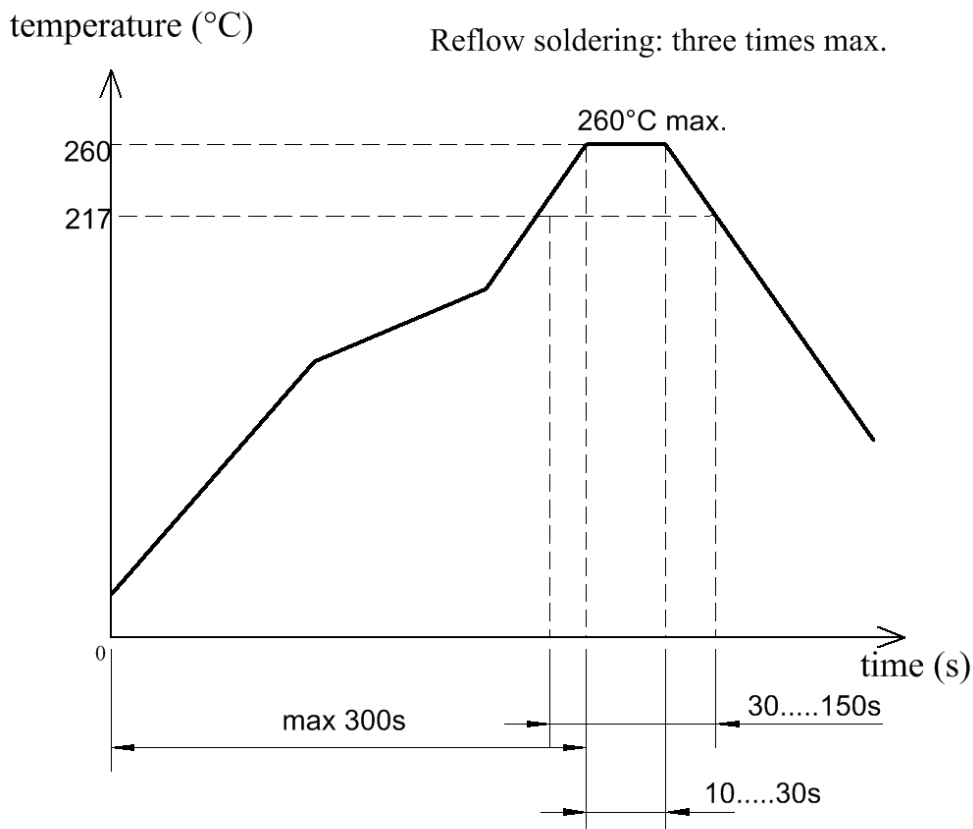
- 2.3.1. $f_0 \pm 23$ kHz ≥ 30 dB
- 2.3.2. $f_0 \pm 32$ kHz ≥ 60 dB
- 2.3.3. $f_0 \pm 45$ kHz ≥ 80 dB
- 2.3.4. Alternate attenuation ≥ 80 dB
- 2.3.5. Spurious responses: ≥ 60 dB

- 2.4. Terminating impedance (input and output): $4800 \Omega // -0.5$ pF
- 2.4.1. Coupling capacitances Cc1, Cc2: 2.0 pF (including all stray capacitances)

- 3. Marking: manufacturer, date code
MQF 10.7-2200/15

- 4. Environment conditions: Vectron MIL standard

- 5. Reflow soldering conditions:



- 6. Packing: T.B.D. (ESD-protected)

Edited by: _____ date: _____ name: _____