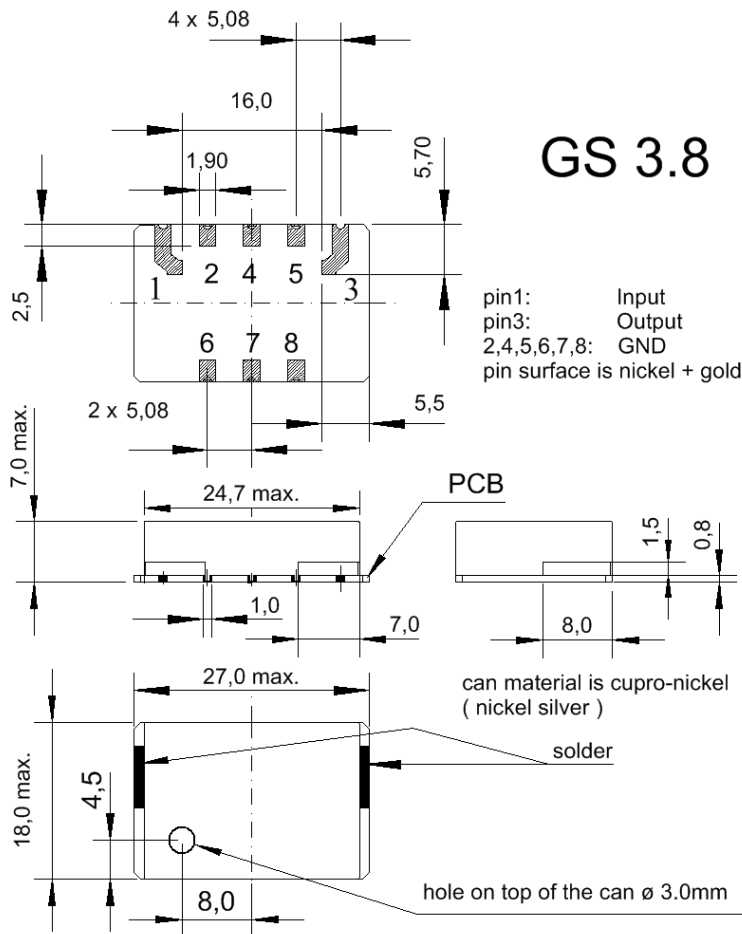


Specification for monolithic crystal filter:

MQF 10.7-3000/33V3

1. General

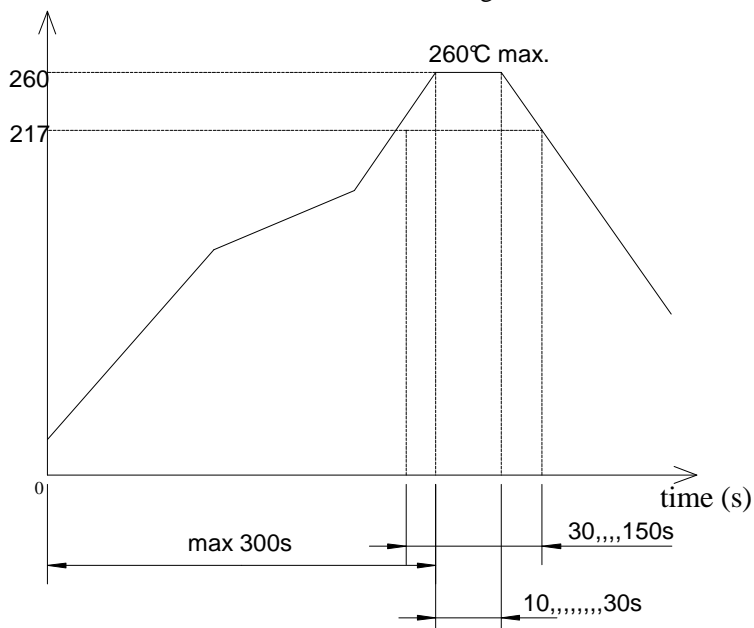
1.1. Package:



1.2. Reflow profile

temperature ($^{\circ}$ C)

Reflow soldering: three times max.



- 1.3. Type name: MQF 10.7-3000/33V3
- 1.4. Number of poles: 4
- 1.5. Operating temperature range: -35°C to +70°C
- 1.6. Storage temperature range: -45°C to +85°C

2. Electric values

- 2.1. Nominal centre frequency fo: 10.7 MHz

2.2. Pass band

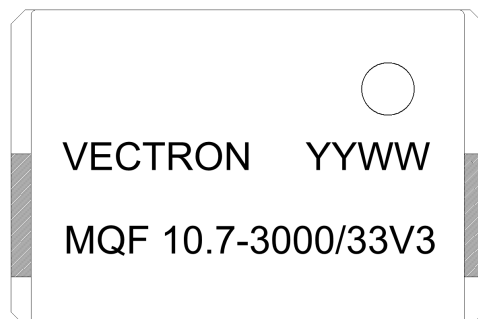
- 2.2.1. Bandwidth between 3 dB - frequencies: $\geq f_0 \pm 15 \text{ kHz}$
- 2.2.2. Ripple: $\leq 1.0 \text{ dB at } f_0 \pm 10 \text{ kHz}$
- 2.2.3. Insertion loss: $\leq 2.5 \text{ dB}$
(measured on smallest attenuation in pass band)

2.3. Stop band

- 2.3.1. $f_0 \pm 40 \text{ kHz}$ $\geq 30 \text{ dB}$
- 2.3.2. $f_0 \pm 50 \text{ kHz}$ $\geq 40 \text{ dB}$
- 2.3.3. $f_0 \pm 50 \text{ kHz} \dots \dots \dots \pm 300 \text{ kHz}$ $\geq 40 \text{ dB (except spurious)}$

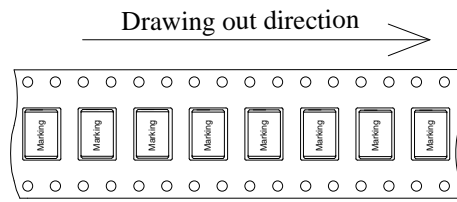
- 2.4. Terminating impedance (input and output): $5500 \Omega // -1 \text{ pF}$

3. Marking:

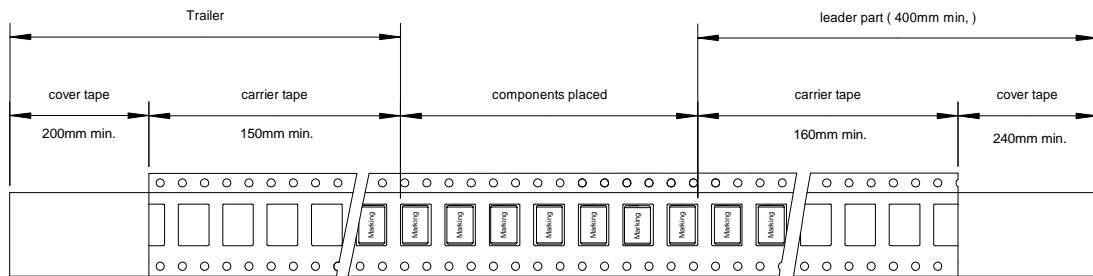


- 4. Environment conditions: Corresponding to Vectron standard CF001
- 5. Filters have to be 2002 / 95 / EC RoHS compliant

6. Packing: max. 350 pcs. / reel



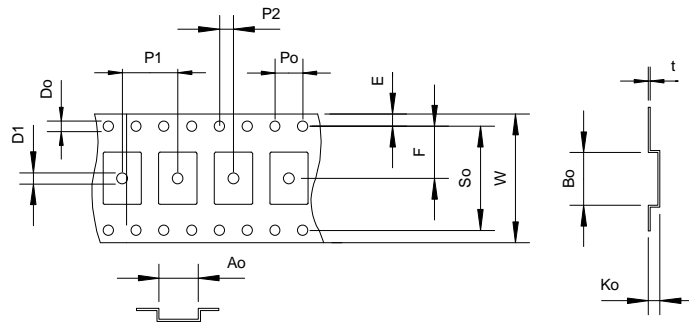
Tape dimension (mm)



Drawing out direction (leading direction)

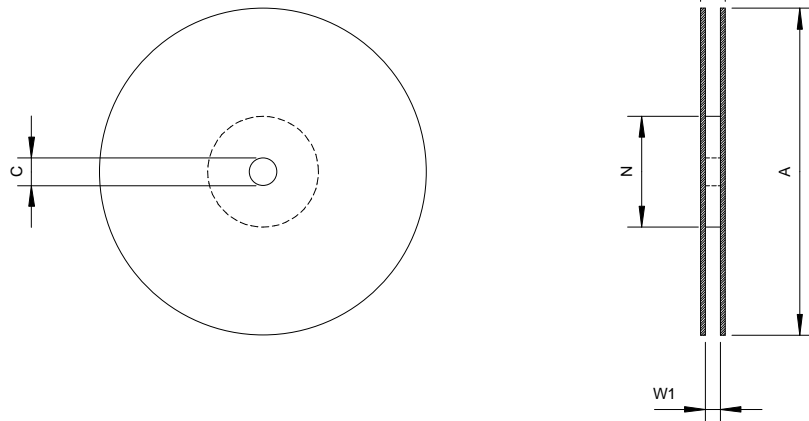
Tape (all dimensions in mm)

- W: 44.0 ± 0.3
- So: 40.4 ± 0.1
- Po: 4.0 ± 0.1
- P1: 24.0 ± 0.1
- P2: 2.0 ± 0.15
- Do: 1.5 +0.1 / -0
- D1: 2.0 min.
- E: 1.75 ± 0.1
- F: 20.2 ± 0.15
- Ko: 7.5 ± 0.1
- Ao: 18.5 ± 0.1
- Bo: 27.5 ± 0.1
- t: 0.4 ± 0.05



Reel (all dimension in mm)

- A: ø 330 max.
- C: ø 13.0 +0.5/-0.2
- N: ø 100 min.
- W1: 45.5 ± 0.25
- W2: 49.5 ± 0.5



Edited by: _____ date: _____ name: _____