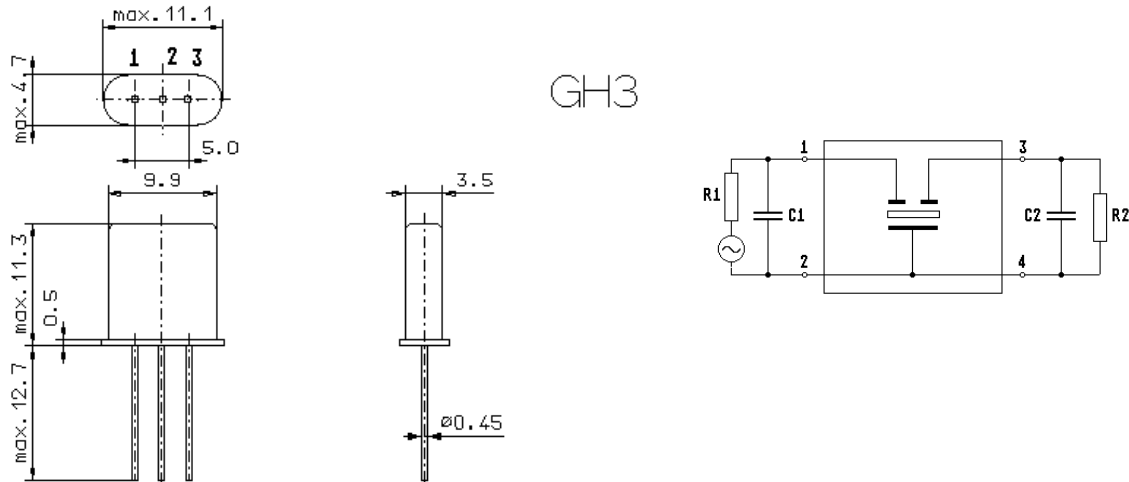


Specification for monolithic crystal filter:

MQF 13.0-2500/01

1. General

1.1. Package:



1.2. Type name:	MQF 13.0-2500/01
1.3. Number of poles:	2
1.4. Operable temperature range:	-20°C to +70°C
1.5. Operating temperature range:	-10°C to +55°C
1.6. Storage temperature range:	-30°C to +80°C

2. Electric values

2.1. Nominal centre frequency f_0 : 13.0 MHz

2.2. Pass band

2.2.1. Bandwidth between 1 dB - frequencies:	$\geq f_0 \pm 12.5$ kHz
2.2.2. Ripple:	≤ 0.5 dB at $f_0 \pm 7.5$ kHz
2.2.3. Insertion loss: (measured on smallest attenuation in pass band)	≤ 2.0 dB

2.3. Stop band

2.3.1. $f_0 \pm 45$ kHz	≥ 15 dB
2.3.2. $f_0 \pm 250$ kHz	≥ 40 dB
2.3.3. Spurious responses:	≥ 10 dB

2.4. Terminating impedance (input and output): $4000 \Omega // -0.2$ pF

3. Marking: manufacturer, date code
13.0-2500/01

4. Environment conditions: Corresponding to Vectron CF001

Edited by: _____ date: _____ name: _____