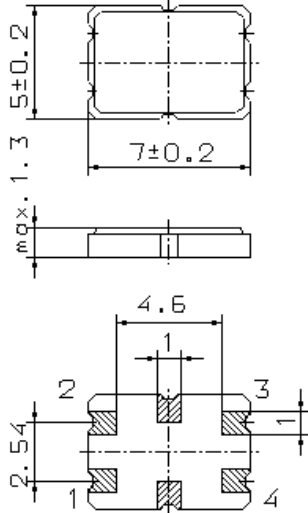


Specification for monolithic crystal filter:

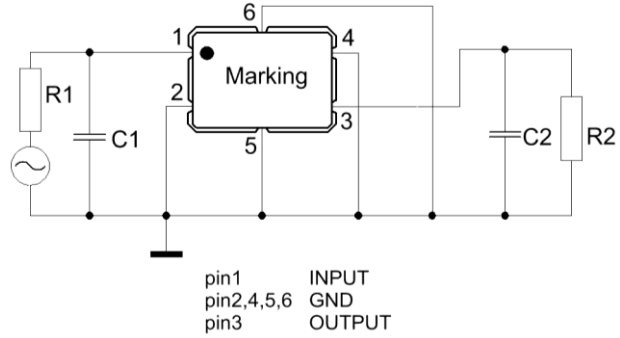
MQF 21.4-1200/29

1. General

1.1. Package:



GS 2



- 1.2. Type name: MQF 21.4-1200/29
- 1.3. Number of poles: 2
- 1.4. Operating temperature range: -20°C to +70°C
- 1.5. Storage temperature range: -35°C to +80°C

2. Electric values

- 2.1. Nominal centre frequency f_0 : 21.4 MHz

2.2. Pass band

- 2.2.1. Bandwidth between 3 dB - frequencies: $> f_0 \pm 6.0$ kHz
- 2.2.2. Ripple: < 0.5 dB at $f_0 \pm 3.5$ kHz
- 2.2.3. Insertion loss: < 1.5 dB
(measured on smallest attenuation in pass band)

2.3. Stop band

- 2.3.1. $f_0 \pm 25$ kHz: > 20 dB
- 2.3.2. $f_0 + 350$ kHz.....+ 1000 kHz: > 35 dB (except spurious)
- 2.3.3. $f_0 - 200$ kHz.....- 1000 kHz: > 50 dB

- 2.4. Terminating impedance R/C (input and output): $1200 \Omega // 3.0$ pF

- 3. Marking: M214A1
date code

- 4. Environment conditions: Corresponding to Vectron standard CF001

Edited by: date: _____ name: _____