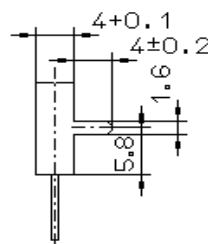
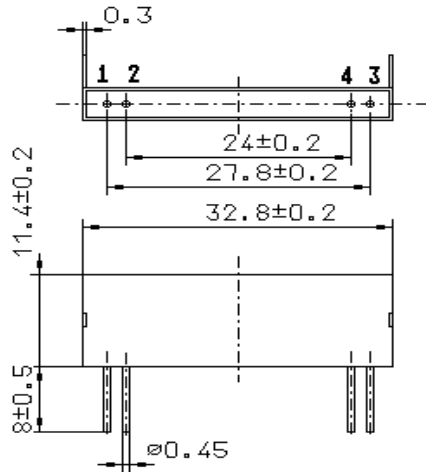


Specification for monolithic crystal filter:

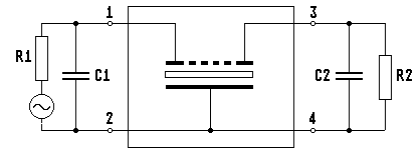
**MQF 24.3 - 3600/04**

**1. General**

1.1. Package:



GV.10



- 1.2. Type name: MQF 24.3-3600/04
- 1.3. Number of poles: 8
- 1.4. Operating temperature range: -40°C to +70°C
- 1.5. Storage temperature range: -40°C to +85°C

**2. Electric values**

- 2.1. Nominal centre frequency fo: 24.3 MHz

**2.2. Pass band**

- 2.2.1. Bandwidth between 6 dB - frequencies:  $\geq f_o \pm 18 \text{ kHz}$
- 2.2.2. Ripple:  $\leq 2.0 \text{ dB at } f_o \pm 14.5 \text{ kHz}$
- 2.2.3. Insertion loss:  $\leq 2.0 \text{ dB}$   
( measured on smallest attenuation in pass band )

**2.3. Stop band**

- 2.3.1.  $f_o \pm 50 \text{ kHz} \dots \dots \dots \pm 500 \text{ kHz}$   $\geq 80 \text{ dB}$
- 2.3.2. Spurious responses (  $f_o \pm 50 \text{ kHz} \dots \dots \dots \pm 500 \text{ kHz}$  )  $\geq 60 \text{ dB}$

- 2.4. Terminating impedance ( input and output ):  $2200 \Omega // 0 \text{ pF}$

- 3. Marking: manufacturer, date code  
MQF 24.3-3600/04

- 4. Environment conditions: Corresponding to Vectron standard CF001

Edited by: \_\_\_\_\_ date: \_\_\_\_\_ name: \_\_\_\_\_