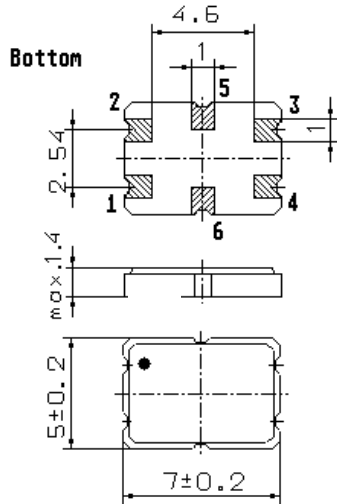


Specification for monolithic crystal filter:

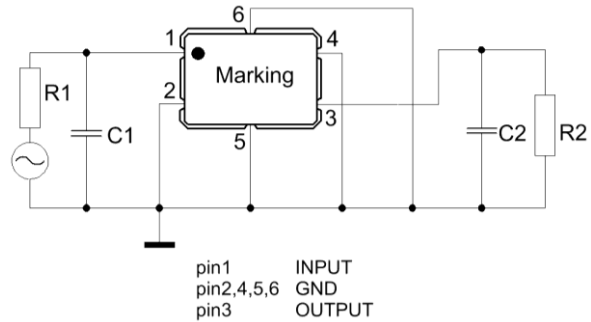
**MQF 29.25-1600/01**

## 1. General

### 1.1. Package:



**GS 2**



- |                                   |                   |
|-----------------------------------|-------------------|
| 1.2. Type name:                   | MQF 29.25-1600/01 |
| 1.3. Number of poles:             | 2                 |
| 1.4. Operating temperature range: | -40°C to +85°C    |
| 1.5. Storage temperature range:   | -45°C to +85°C    |

## 2. Electric values

- |   |                                     |
|---|-------------------------------------|
| 2.1. Nominal centre frequency $f_0$ :                                       | 29.25 MHz                           |
| 2.2. Pass band  |                                     |
| 2.2.1. Bandwidth between 3 dB - frequencies:                                | $> \pm 8.0$ kHz                     |
| 2.2.2. Ripple:  | $< 1.0$ dB at $f_0 \pm 5.0$ kHz     |
| 2.2.3. Insertion loss:<br>( measured on smallest attenuation in pass band ) | $< 3.0$ dB                          |
| 2.3. Stop band  |                                     |
| 2.3.1. $f_0 \pm 30$ kHz   | $> 18$ dB                           |
| 2.3.2. Alternate attenuation  | $> 45$ dB (except spurious)         |
| 2.4. Terminating impedance ( input and output ):                            | $700 \Omega // 5.0$ pF              |
| 2.5. Input power level for reference measurement:                           | -5 dBm                              |
| 2.5.1. Maximum input power level without destruction:                       | +15 dBm                             |
| 3. Marking:   | M2925A1<br>yyww                     |
| 4. Environment conditions:  | according to Vectron standard CF001 |