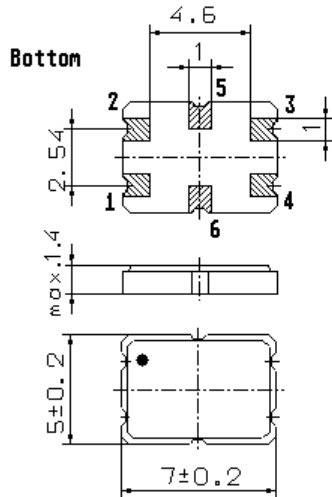


Specification for monolithic crystal filter:

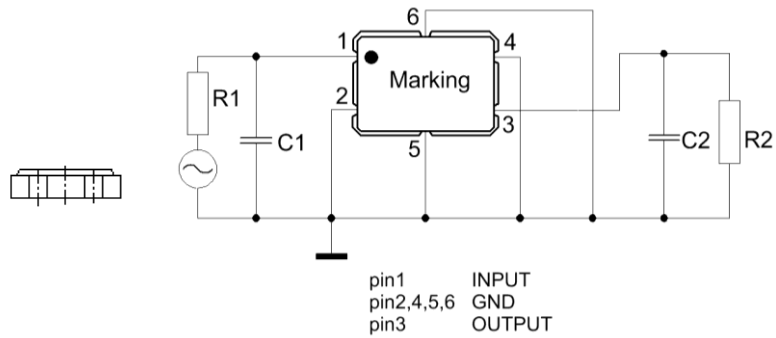
MQF 30.0-4000/07

1. General

1.1. Package:



GS 2



- | | |
|-----------------------------------|------------------|
| 1.2. Type name: | MQF 30.0-4000/07 |
| 1.3. Number of poles: | 2 |
| 1.4. Operating temperature range: | -20°C to +70°C |
| 1.5. Storage temperature range: | -45°C to +85°C |

2. Electric values

- | | |
|---------------------------------------|----------|
| 2.1. Nominal centre frequency f_0 : | 30.0 MHz |
|---------------------------------------|----------|

2.2. Pass band

- | | |
|---|-------------------------------------|
| 2.2.1. Bandwidth between 1 dB - frequencies: | $> f_0 \pm 20$ kHz |
| 2.2.2. Ripple: | < 1.0 dB at $f_0 \pm 20$ kHz |
| 2.3.3. Group delay distortion | < 5.0 μ s at $f_0 \pm 20$ kHz |
| 2.2.4. Insertion loss:
(measured on smallest attenuation in pass band) | < 3.0 dB |

2.3. Stop band

- | | |
|------------------------------|-------------------------------|
| 2.3.1. $f_0 \pm 125$ kHz | > 20 dB (except spurious) |
| 2.3.2. Alternate attenuation | > 30 dB (except spurious) |

- | | |
|--|--------------------------|
| 2.4. Terminating impedance (input and output): | $3800 \Omega // -0.4$ pF |
|--|--------------------------|

- | | |
|-------------|----------------------------------|
| 3. Marking: | M 30A
manufacturer, date code |
|-------------|----------------------------------|

- | | |
|----------------------------|---|
| 4. Environment conditions: | Corresponding to Vectron standard CF001 |
|----------------------------|---|

Edited by: _____ date: _____ name: _____