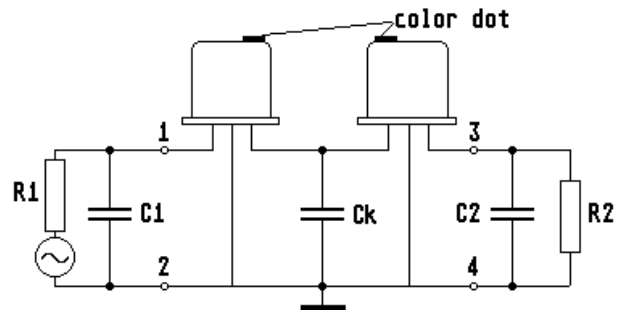
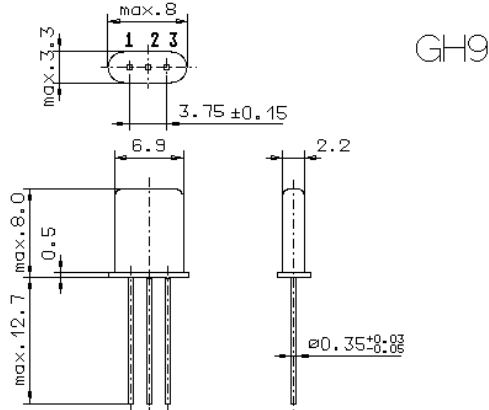


Specification for monolithic crystal filter:

MQF 33.55443-0700/02

1. General

1.1. Package:



- | | |
|-----------------------------------|----------------------|
| 1.2. Type name: | MQF 33.55443-0700/01 |
| 1.3. Number of poles: | 4 |
| 1.4. Operating temperature range: | -20°C to +70°C |
| 1.5. Storage temperature range: | -45°C to +85°C |

2. Electric values

- | | |
|-----------------------------------|--------------|
| 2.1. Nominal centre frequency fo: | 33.55443 MHz |
|-----------------------------------|--------------|

2.2. Pass band

- | | |
|---|---------------------------------|
| 2.2.1. Bandwidth between 3 dB - frequencies: | $> f_o \pm 3.5$ kHz |
| 2.2.2. Ripple: | < 1.0 dB at $f_o \pm 2.4$ kHz |
| 2.2.3. Insertion loss:
(measured on smallest attenuation in pass band) | < 4.5 dB |

2.3. Stop band

- | | |
|------------------------------|-----------------------------|
| 2.3.1. $f_o \pm 16$ kHz | > 35 dB |
| 2.3.2. $f_o \pm 29$ kHz | > 60 dB |
| 2.3.3. Alternate Attenuation | > 80 dB (except spurious) |

- | | |
|----------------------------------|---------|
| 2.4.1. Nominal input power level | +0 dBm |
| 2.4.2. Maximal input power level | +18 dBm |

- | | |
|--|----------------------|
| 2.5. Terminating impedance R/C (input and output): | 900 Ω // 3 pF |
| 2.6. coupling capacitance (Cc): | 7.8 pF |

- | | |
|-------------|---|
| 3. Marking: | manufacturer, date code
33.55443-
0700/02 |
|-------------|---|

- | | |
|----------------------------|---|
| 4. Environment conditions: | Corresponding to Vectron standard CF001 |
|----------------------------|---|

Edited by: _____ date: _____ name: _____