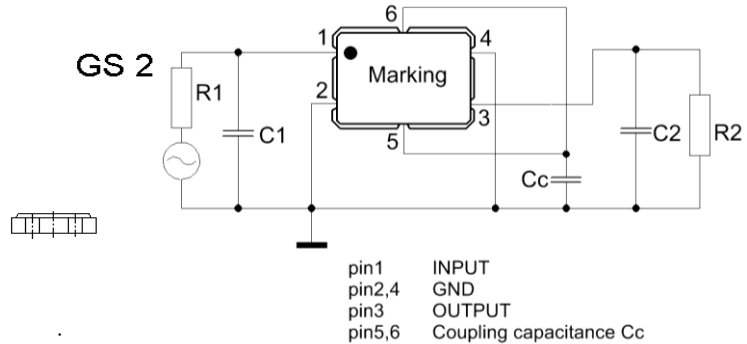
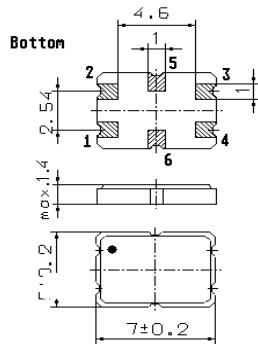


Specification for monolithic crystal filter:

**MQF 35.25 - 2200 / 02**

## 1. General

### 1.1. Package:



- |                                   |                   |
|-----------------------------------|-------------------|
| 1.2. Type name:                   | MQF 35.25-2200/02 |
| 1.3. Number of poles:             | 4                 |
| 1.4. Operating temperature range: | -40°C to +85°C    |
| 1.5. Storage temperature range:   | -45°C to +85°C    |

## 2. Electric values

- |   |   |
|---|---|
| 2.1. Nominal centre frequency fo:   | 35.25 MHz                                       |
| <b>2.2. Pass band</b>   |   |
| 2.2.1. Bandwidth between 3 dB - frequencies:                                | > fo ± 11.0 kHz                                 |
| 2.2.2. Ripple:  | < 1.0 dB at fo ± 8.0 kHz                        |
| 2.2.3. Insertion loss:<br>( measured on smallest attenuation in pass band ) | < 4.0 dB  |
| <b>2.3. Stop band</b>   |   |
| 2.3.1. fo ± 28 kHz  | > 15 dB   |
| 2.3.2. fo ± 37 kHz  | > 30 dB   |
| 2.3.3. fo ± 55 kHz  | > 50 dB   |
| 2.3.4. Alternate attenuation fo ± 910 kHz                                   | > 65 dB (except spurious)                       |
| 2.4. Terminating impedance R//C ( input and output ):                       | 1300 Ω // 1.5 pF                                |
| 2.4.1. Coupling capacitance   | 5.0 pF  |
| 2.5. Input power level for reference measurement:                           | -10 dBm   |
| 2.5.1. Maximum input power level without destruction:                       | 0 dBm   |
| <b>2.6. Out band Intermodulation</b>  |   |
| 2.6.1. frequency 1, 2:  | fo ± 100 / 200 kHz                              |
| 2.6.2. Input power level:   | -10 dBm   |
| 2.6.3. Intermodulation ( IP3 > +25 dBm )                                    | > 70 dB down from both -10dBm input tones       |
| 3. Marking on the case:   | • M35A1<br>yyww                                 |
| 4. Environment conditions:  |   |
| a. vibration:   | MIL-STD-810G, method 514.6 procedure I          |
| b. shock:   | MIL-STD-810G, method 516.6 procedure I + IV + V |
| 5. Filters are Pb-free and 2002 /95 / EC RoHS compliant                     |   |

Edited by: \_\_\_\_\_ date: \_\_\_\_\_ name: \_\_\_\_\_