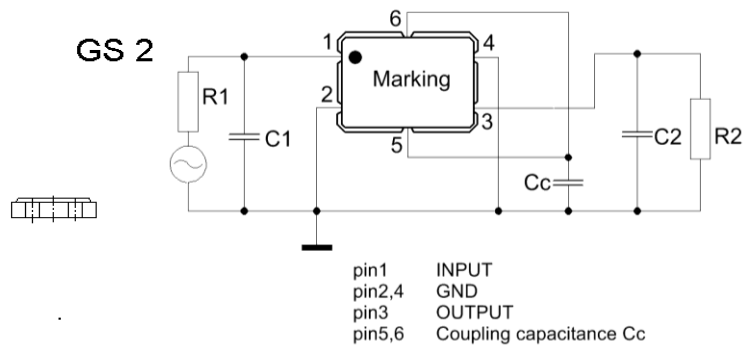
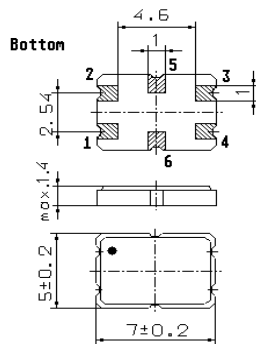


Specification for monolithic crystal filter:

MQF 35.25 - 4000 / 02

1. General

1.1. Package:



- | | |
|-----------------------------------|-------------------|
| 1.2. Type name: | MQF 35.25-4000/02 |
| 1.3. Number of poles: | 4 |
| 1.4. Operating temperature range: | -40°C to +85°C |
| 1.5. Storage temperature range: | -45°C to +85°C |

2. Electric values

- | | |
|---|---|
| 2.1. Nominal centre frequency fo: | 35.25 MHz |
| 2.2. Pass band | |
| 2.2.1. Bandwidth between 3 dB - frequencies: | > fo ± 20.0 kHz |
| 2.2.2. Ripple: | < 1.0 dB at fo ± 12.0 kHz |
| 2.2.3. Insertion loss: (measured on smallest attenuation in pass band) | < 4.0 dB |
| 2.3. Stop band | |
| 2.3.1. fo ± 55 kHz | > 30 dB |
| 2.3.2. fo ± 100 kHz | > 50 dB (except spurious) |
| 2.3.3. Alternate attenuation fo ± 910 kHz | > 65 dB (except spurious) |
| 2.4. Terminating impedance R/C (input and output): | 3150 Ω // -0.1 pF |
| 2.4.1. Coupling capacitance | 1.5 pF |
| 2.5. Input power level for reference measurement: | +0 dBm |
| 2.5.1. Maximum input power level without destruction: | +10 dBm |
| 2.6. Out band Intermodulation | |
| 2.6.1. frequency 1, 2: | fo ± 100 / 200 kHz |
| 2.6.2. Input power level: | -10 dBm |
| 2.6.3. Intermodulation (IP3 > +25 dBm) | > 70 dB down from both -10dBm input tones |
| 3. Marking: | • M35A2 yyww |
| 4. Environment conditions: | |
| a. vibration: | MIL-STD-810G, method 514.6 procedure I |
| b. shock: | MIL-STD-810G, method 516.6 procedure I + IV + V |
| 5. Filters are Pb-free and 2002 /95 / EC RoHS compliant | |

Edited by: _____ date: _____ name: _____