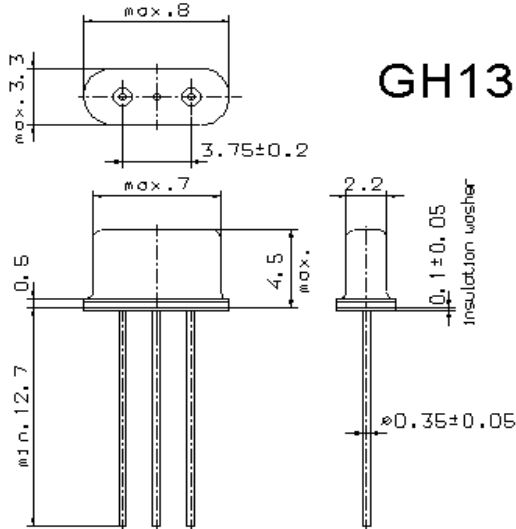


Specification for monolithic crystal filter:

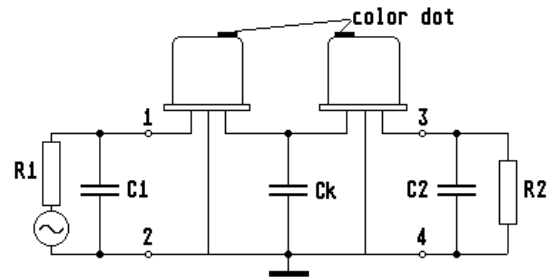
MQF 45.0-1000/02

1. General

1.1. Package:



GH13.1



- | | |
|-----------------------------------|------------------|
| 1.2. Type name: | MQF 45.0-1000/02 |
| 1.3. Number of poles: | 4 |
| 1.4. Operable temperature range: | -25°C to +80°C |
| 1.5. Operating temperature range: | -20°C to +70°C |
| 1.6. Storage temperature range: | -35°C to +85°C |

2. Electric values

- | | |
|-----------------------------------|----------|
| 2.1. Nominal centre frequency fo: | 45.0 MHz |
|-----------------------------------|----------|

2.2. Pass band

- | | |
|---|--------------------------|
| 2.2.1. Bandwidth between 3 dB - frequencies: | ≥ fo ± 5.0 kHz |
| 2.2.2. Ripple: | ≤ 1.0 dB at fo ± 3.0 kHz |
| 2.2.3. Insertion loss:
(measured on smallest attenuation in pass band) | ≤ 4.0 dB |

2.3. Stop band

- | | |
|--------------------|---------|
| 2.3.1. fo ± 20 kHz | ≥ 40 dB |
| 2.3.2. fo -910 kHz | ≥ 85 dB |

- | | |
|--|----------------|
| 2.4. Terminating impedance (input / output): | 250 Ω // 10 pF |
|--|----------------|

- | | |
|---------------------------------|-------|
| 2.4.1. Coupling capacitance Cc: | 27 pF |
|---------------------------------|-------|

- | | |
|-------------|-------------------------|
| 3. Marking: | M 45 B8
VI date code |
|-------------|-------------------------|

- | | |
|----------------------------|---|
| 4. Environment conditions: | Corresponding to Vectron standard CF001 |
|----------------------------|---|

Edit by: _____ date: _____ name: _____