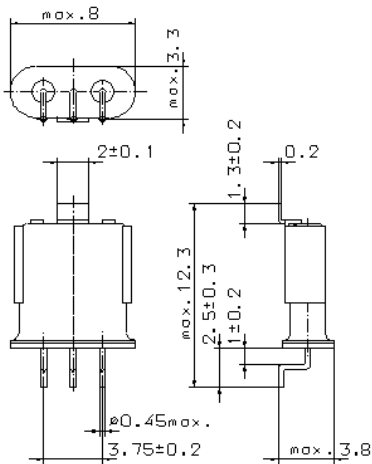


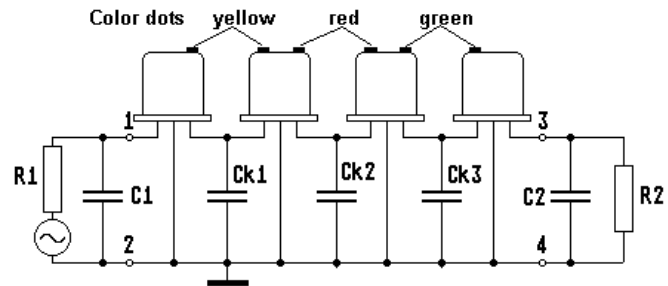
Specification for monolithic crystal filter: **MQF 45.0 - 1000 / 08**

**1. General**

1.1. Package: 4 x GH9S1 ( each filter consists of 4 matched duals in GH9S1 package )



GH9S1



- 1.2. Type name: MQF 45.0-1000/08
- 1.3. Number of poles: 8
- 1.4. Operating temperature range: -20°C to +70°C
- 1.5. Storage temperature range: -45°C to +85°C

**2. Electric values**

2.1. Nominal centre frequency fo: 45.0 MHz

**2.2. Pass band**

- 2.2.1. Bandwidth between 6 dB - frequencies:  $\geq f_o \pm 5.0$  kHz
- 2.2.2. Typical bandwidth between 3 dB - frequencies: approximately  $f_o \pm 5.35$  kHz
- 2.2.3. Ripple:  $\leq 1.0$  dB at  $f_o \pm 2.5$  kHz
- 2.2.4. Insertion loss:  $\leq 6.5$  dB  
( measured on smallest attenuation in pass band )

**2.3. Stop band**

- 2.3.1.  $f_o \pm 10$  kHz:  $\geq 30$  dB
- 2.3.2.  $f_o \pm 20$  kHz:  $\geq 85$  dB
- 2.3.3.  $f_o - 910$  kHz:  $\geq 85$  dB

2.4. Terminating impedance ( input and output ):  $300 \Omega // 8.5$  pF

2.4.1. Coupling capacitance: Ck1, Ck3: 22.7 pF  
Ck2: 23.8 pF

3. Marking: manufacturer, date code  
45.0-1000/08

4. Environment conditions: Corresponding to Vectron standard CF001