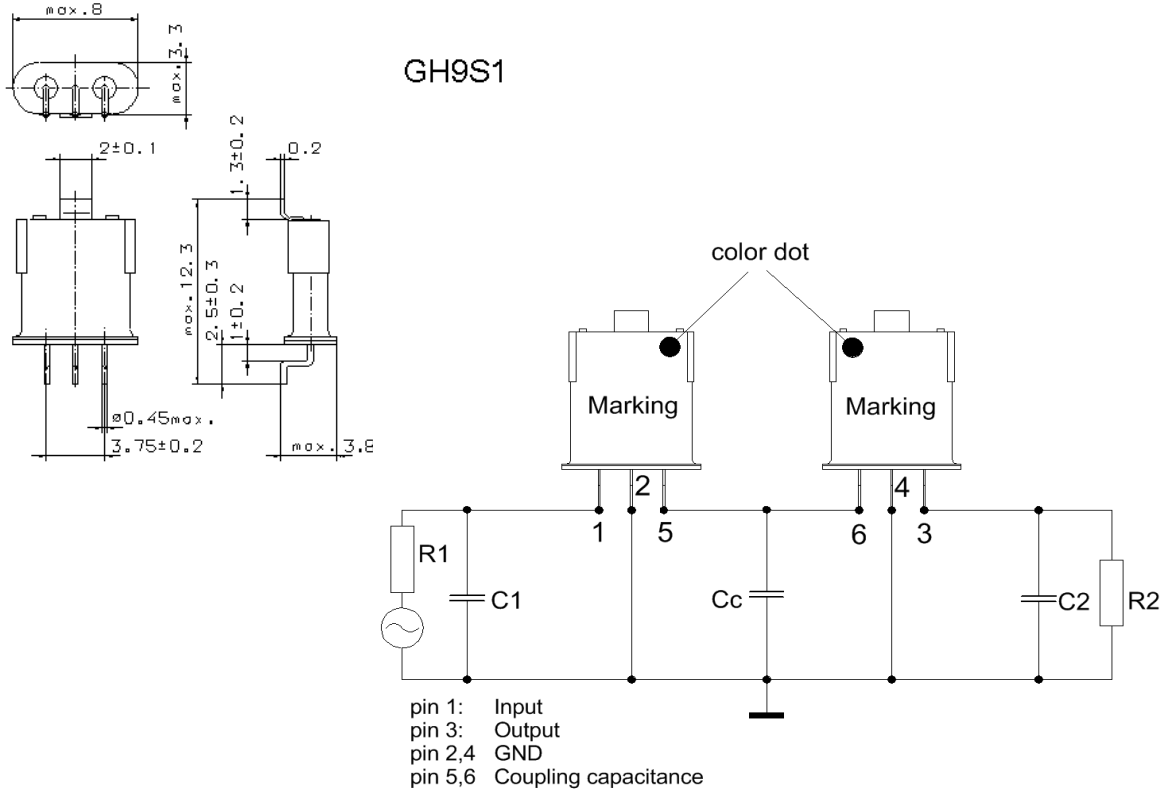


Specification for monolithic crystal filter: **MQF 45.0 - 1500 / 65**

1. General

1.1. Package: 2 x GH9S1 (each filter consist of a matched pair of two GH9S1 duals)

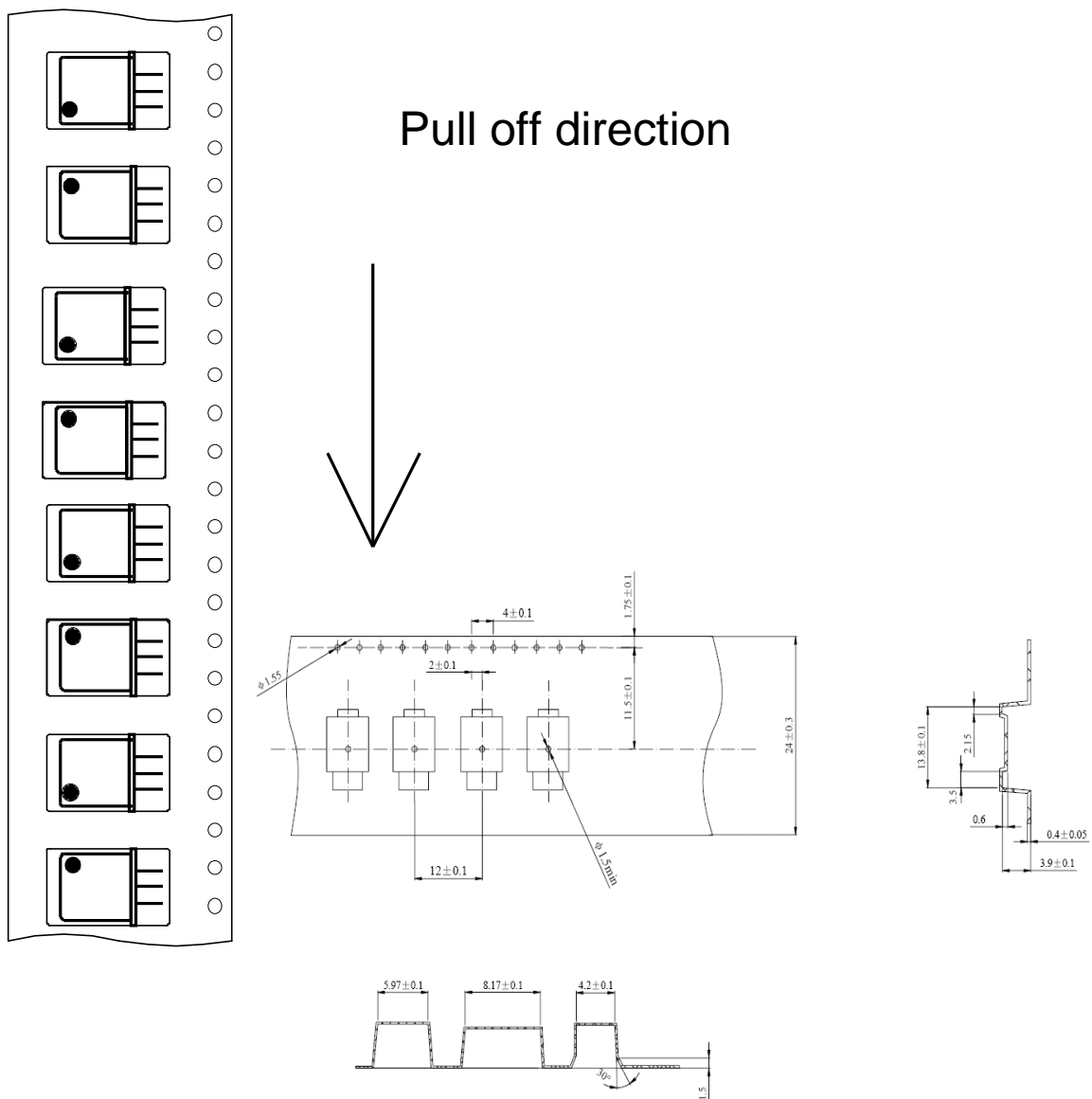


- 1.2. Type name: MQF 45.0-1500/65
- 1.3. Number of poles: 4
- 1.4. Operating temperature range: -30°C to +90°C
- 1.5. Storage temperature range: -55°C to +90°C

2. Electric values

- 2.1. Nominal centre frequency fo: 45.0 MHz
- 2.2. Pass band
 - 2.2.1. Bandwidth between 3 dB - frequencies: $\geq f_o \pm 7.5$ kHz
 - 2.2.2. Ripple: ≤ 1.0 dB at $f_o \pm 5.0$ kHz
 - 2.2.3. Insertion loss: ≤ 3.0 dB
(measured on smallest attenuation in pass band)
- 2.3. Stop band
 - 2.3.1. $f_o \pm 25$ kHz ≥ 30 dB
 - 2.3.2. $f_o - 910$ kHz ≥ 90 dB
- 2.4. Terminating impedance R//C (input and output): $650 \Omega // 3.0$ pF
 - 2.4.1. Coupling capacitance (Cc): 10 pF ± 10 %

3. Marking: manufacturer, date code
45.0-1500/65
4. Environment conditions: Corresponding to Vectron CF001
5. Reflow soldering for Pb-free assembly:
 > 100°C for maximum 600 seconds
 > 200°C for maximum 180 seconds
 > 260°C for maximum 30 seconds
 (peak temperature)
 cool - down time: 2 hours
6. Taping (500 pcs. / reel)



Edited by: _____ date: _____ name: _____