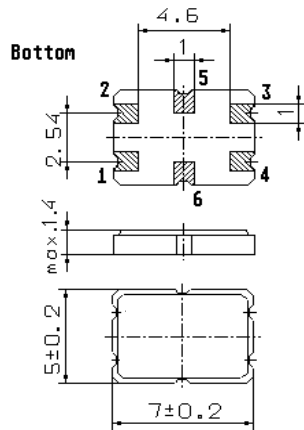


Specification for monolithic crystal filter:

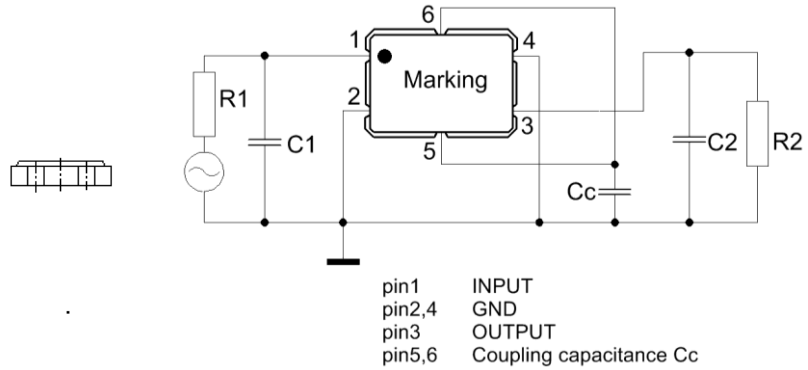
MQF 45.0-2000/19

1. General

1.1. Package:



GS 2



- | | |
|-----------------------------------|------------------|
| 1.2. Type name: | MQF 45.0-2000/19 |
| 1.3. Number of poles: | 4 |
| 1.4. Operating temperature range: | -30°C to +70°C |
| 1.5. Storage temperature range: | -55°C to +125°C |

2. Electric values

- | | |
|-----------------------------------|----------|
| 2.1. Nominal centre frequency fo: | 45.0 MHz |
|-----------------------------------|----------|

2.2. Pass band

- | | |
|--|--------------------------|
| 2.2.1. Bandwidth between 3 dB - frequencies: | > fo ± 10 kHz |
| 2.2.2. Ripple: | < 1.0 dB at fo ± 8.0 kHz |
| 2.2.3. Insertion loss: | < 3.0 dB |
- (measured on smallest attenuation in pass band)

2.3. Stop band

- | | |
|--|---------|
| 2.3.1. fo ± 25 kHz | > 25 dB |
| 2.3.2. Alternate Attenuation fo -910 kHz | > 80 dB |
| 2.3.3. Spurious response | > 25 dB |

- | | |
|--|------------------|
| 2.4. Terminating impedance R/C (input and output): | 1000 Ω // 1.6 pF |
|--|------------------|

- | | |
|-------------------------------------|------|
| 2.4.1. Coupling capacitance (Cc): | 5 pF |
|-------------------------------------|------|

- | | |
|---------------------------------|---------------------------------------|
| 2.5. Maximum Input power level: | -10 / +10 dBm (working/non-damaged) |
|---------------------------------|---------------------------------------|

- | | |
|-------------|--------------------|
| 3. Marking: | M45B7
date code |
|-------------|--------------------|

- | | |
|----------------------------|---|
| 4. Environment conditions: | Corresponding to Vectron standard CF001 |
|----------------------------|---|

- | | |
|---|--|
| 5. Filters are Pb-free and 2002 /95 / EC RoHS compliant | |
|---|--|

Edited by: _____ date: _____ name: _____