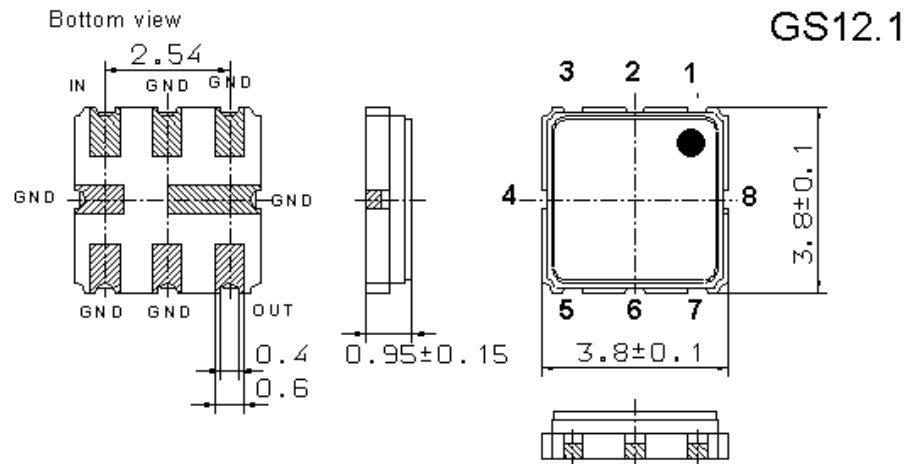


Specification for monolithic crystal filter:

MQF 61.44-1200/01
V50500-A1-B355

1. General

1.1. Package:



Pin 1: Input
Pin 5: Output
Pin 2, 3, 4, 6, 7, 8: GND

the filter is RoHS compliant and 100% unleaded

1.2. Type name:	MQF 61.44-1200/01
1.3. Number of poles:	2
1.4. Operating temperature range:	-20°C to +80°C
1.5. Storage temperature range:	-45°C to +85°C

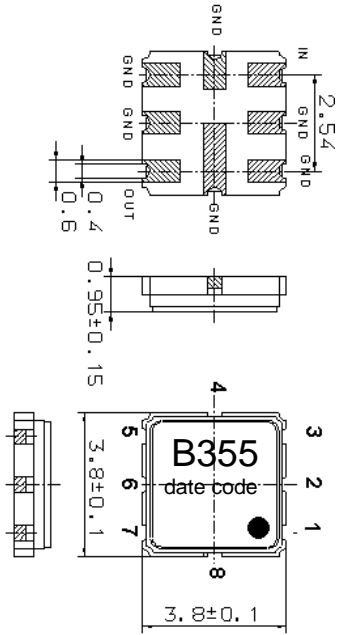
2. Electric values

2.1. Nominal centre frequency f_0 :	61.44 MHz
2.2. Pass band	
2.2.1. Bandwidth between 3 dB - frequencies:	> $f_0 \pm 6.0$ kHz
2.2.2. Ripple:	< 1.0 dB at $f_0 \pm 4.0$ kHz
2.2.3. Insertion loss:	< 3.0 dB
(measured on smallest attenuation in pass band)	
2.3. Stop band	
2.3.1. $f_0 \pm 60$ kHz	> 30 dB
2.3.2. Alternate attenuation:	> 40 dB (except spurious)
2.4. Terminating impedance (input and output):	650 Ω // 1.5 pF

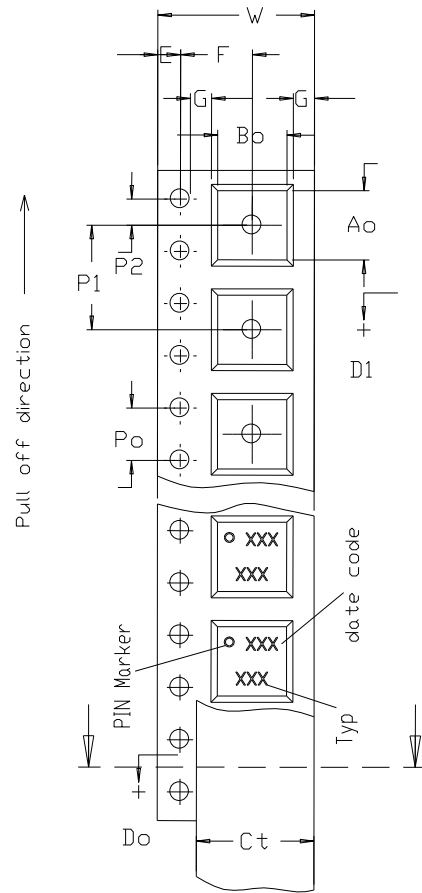
3. Environment conditions:

3.1. free fall:	150 cm 10 times on concrete board
3.2. vibration:	5 to 150 Hz, 2g each axis for 1 hour
3.3. soldering:	350 degC, 3 minutes
3.4. solderability:	solder tub 235 degC
3.5. high temperature test:	60 degC, 1000 hours
3.6. humidity test:	60 degC 95%, 1000 hours
3.7. low temperature test	-40 degC , 1000 hours
3.8. heat cycle	-40 degC to +85 degC, 100 cycles

4. Making on top of the package:

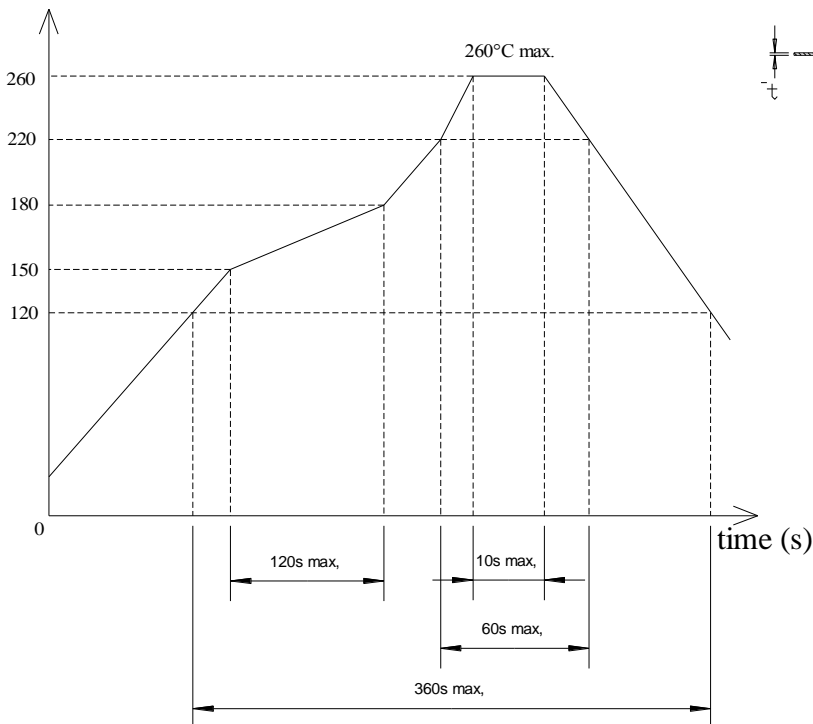


Taping:



5. Reflow soldering profile:

temperature (°C)



Reflow soldering: three times max.

Edited by: _____ date: _____ name: _____