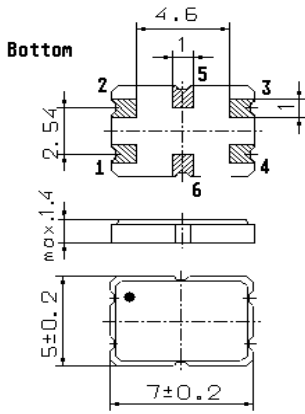


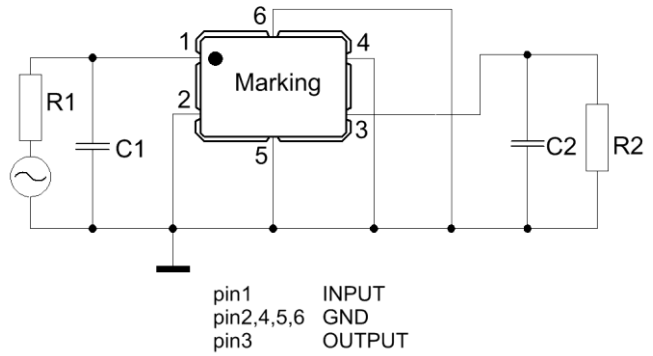
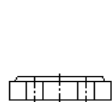
Specification for monolithic crystal filter: **MQF 70.0 - 0500 / 09**

1. General

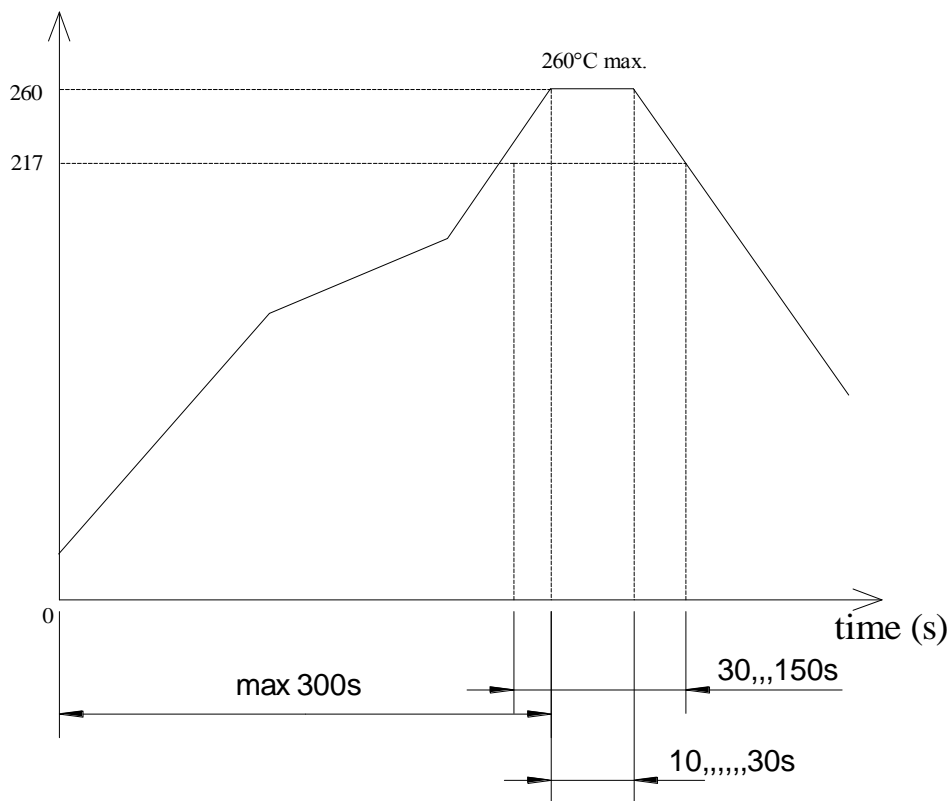
1.1. Package:



GS 2



temperature (°C)



Reflow soldering: three times max.

- 1.2. Type name: MQF 70.0-0500/09
- 1.3. Number of poles: 2
- 1.4. Operating temperature range: -20°C to +70°C
- 1.5. Storage temperature range: -45°C to +85°C

2. Electric values

- 2.1. Nominal centre frequency fo: 70.0 MHz

2.2. Pass band

- 2.2.1. Centre frequency fc at +25°C: 70.0 MHz ± 900 Hz
- 2.2.2. Bandwidth between 3 dB - frequencies: > fc ± 2.5 kHz
- 2.2.3. Ripple: < 1.0 dB at fo ± 12 kHz
- 2.2.4. Insertion loss: < 5.0 dB
(measured on smallest attenuation in pass band)
- 2.2.5. Differential group delay: < 20 µs at fo ± 15 kHz

2.3. Stop band

- 2.3.1. fc ± 10 kHz > 15 dB
- 2.3.2. fc ± 25 kHz > 30 dB
- 2.3.3. fc-200kHz...fc-1MHz / fc+500 kHz....fc+1 MHz > 35 dB
- 2.3.4. Spurious responses fc+100 kHz.....fc+1.2 MHz > 15 dB
- 2.4. Terminating impedance R//C (input and output): 1000 Ω // 0 pF
- 2.5. Maximum input power level
operating: -10 dBm
non - damaged: +10 dBm

- 3. Marking: • 705S1
date code

- 4. Environment conditions: Corresponding to Vectron CF001

- 5. Filters are Pb-free and 2002 /95 / EC RoHS compliant

Edited by: _____ date: _____ name: _____