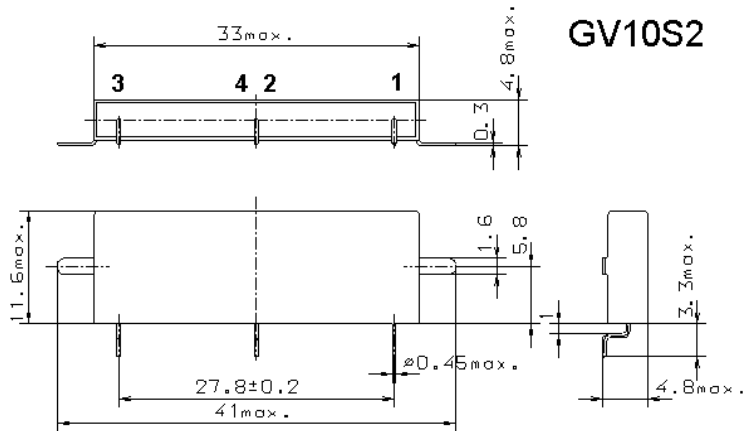


Specification for monolithic crystal filter:

**MQF 70.0-0800/09**

**1. General**

1.1. Package:



**GV10S2**

**RoHS compliant**

- 1.2. Type name: MQF 70.0-0800/09
- 1.3. Number of poles: 6
- 1.4. Operating temperature range: -40°C to +85°C
- 1.5. Storage temperature range: -45°C to +85°C

**2. Electric values**

- 2.1. Nominal centre frequency  $f_0$ : 70.0 MHz

**2.2. Pass band**

- 2.2.1. Bandwidth between 3 dB - frequencies:  $> f_0 \pm 4.0$  kHz
- 2.2.2. Ripple at  $f_0 \pm 2$  kHz:  $< 1$  dB
- 2.2.3. Group delay distortion at  $f_0 \pm 4$  kHz:  $< 60$   $\mu$ s
- 2.2.4. Insertion loss:  $< 7.0$  dB  
( measured on smallest attenuation in pass band )

**2.3. Stop band**

- 2.3.1.  $f_0 \pm 25$  kHz:  $> 60$  dB
- 2.3.2.  $f_0 \pm 30$  kHz:  $> 70$  dB
- 2.3.3.  $f_0 \pm 455$  kHz:  $> 60$  dB
- 2.3.4. Spurious responses:  $> 50$  dB
- 2.4. Terminating impedance ( input and output ):  $50 \Omega // 0$  pF
- 2.5. Nominal drive level:  $< -5$  dBm

- 3. Marking: manufacturer, date code  
MQF 70.0-0800/09

- 4. Environment conditions: Corresponding to Vectron standard CF010

Edited by: \_\_\_\_\_ date: \_\_\_\_\_ name: \_\_\_\_\_