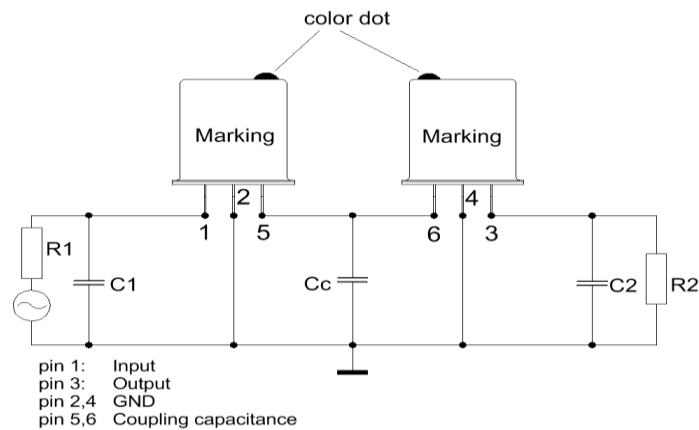
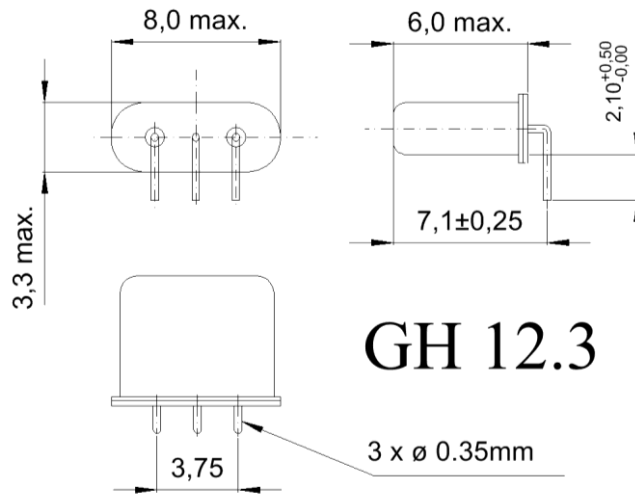


Specification for monolithic crystal filter:

MQF 70.0-1000/16

1. General

1.1. Package:



- 1.2. Type name: MQF 70.0-1000/16
- 1.3. Number of poles: 4
- 1.4. Operating temperature range: 0°C to +50°C
- 1.5. Storage temperature range: -55°C to +105°C

2. Electric values

- 2.1. Nominal centre frequency f_0 : 70.0 MHz
- 2.1.1 Center frequency f_c at +25°C: 70.0 MHz ± 1.5 kHz
- f_c in OTR: 70.0 MHz ± 2.0 kHz

2.2. Pass band

- 2.2.1. Bandwidth between 3 dB - frequencies: > $f_c \pm 4.5$ kHz
< $f_c \pm 5.5$ kHz
- 2.2.2. Ripple: peak to peak < 1.0 dB
- 2.2.3. Insertion loss: < 5.0 dB
(measured on smallest attenuation in pass band)

2.3. **Stop band**

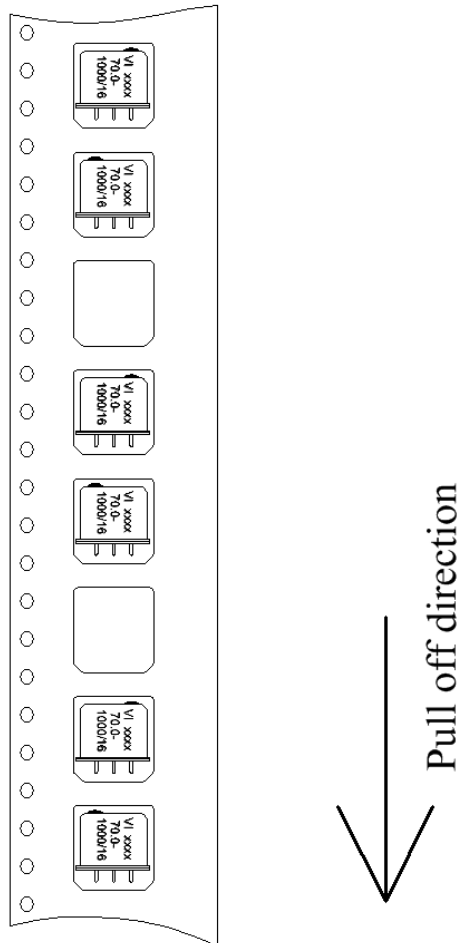
- 2.3.1. $f_0 \pm 16$ kHz > 40 dB
- 2.3.2. Alternate attenuation > 70 dB (except spurious)

2.4. Terminating impedance R//C (input and output): 2300 Ω // -0.3 pF

2.4.1. Coupling capacitance C_C : 0.3 pF

3. Marking: manufacturer, date code
70.0-
1000/16

4. Taping: **Taping for MQF 70.0-1000/16**
maximum 200 pcs. / reel



5. Environment conditions: Corresponding to Vectron MIL Standard

Edited by: _____ date: _____ name: _____