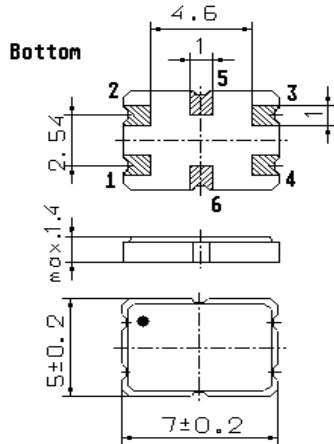


Specification for monolithic crystal filter:

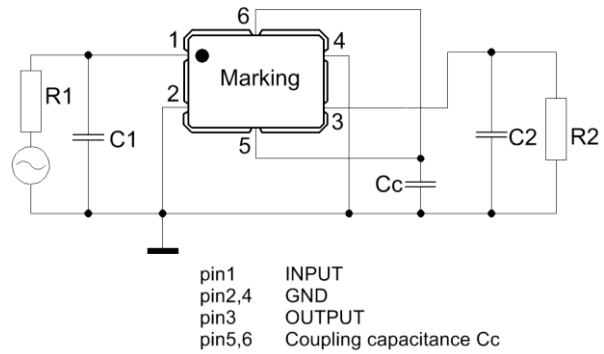
MQF 70.0 - 1500/18

1. General

1.1. Package:



GS 2



- | | |
|-----------------------------------|------------------|
| 1.2. Type name: | MQF 70.0-1500/18 |
| 1.3. Number of poles: | 4 |
| 1.4. Operating temperature range: | -20°C to +70°C |
| 1.5. Storage temperature range: | -40°C to +70°C |

2. Electric values

- | | |
|-----------------------------------|----------|
| 2.1. Nominal centre frequency fo: | 70.0 MHz |
|-----------------------------------|----------|

2.2. Pass band

- | | |
|---|---------------------------------|
| 2.2.1. Bandwidth between 3 dB - frequencies: | $> f_0 \pm 7.5$ kHz |
| 2.2.2. Ripple: | < 2.0 dB at $f_0 \pm 5.0$ kHz |
| 2.2.3. Insertion loss: (measured on smallest attenuation in pass band) | < 6.0 dB |

2.3. Stop band

- | | |
|--|-----------|
| 2.3.1. $f_0 \pm 40$ kHz | > 40 dB |
| 2.3.2. $f_0 - 910$ kHz | > 70 dB |
| 2.3.3. Spurious response $f_0 + 200 \dots 500$ kHz | > 35 dB |

- | | |
|--|------------------------|
| 2.4. Terminating impedance (input and output): | $400 \Omega // 4.0$ pF |
|--|------------------------|

- | | |
|-------------------------------|----------|
| 2.5. Coupling capacitance Cc: | 9.0 pF |
|-------------------------------|----------|

- | | |
|---|-------|
| 2.5. Input power level for reference measurement: | 0 dBm |
|---|-------|

- | | |
|---|---------|
| 2.6. Maximum input power level without destruction: | +10 dBm |
|---|---------|

- | | |
|-------------|---------------|
| 3. Marking: | M70A1 yyww |
|-------------|---------------|

- | | |
|----------------------------|---|
| 4. Environment conditions: | Corresponding to Vectron standard CF001 |
|----------------------------|---|

- | | |
|---|--|
| 5. Filters are Pb-free and 2002 /95 / EC RoHS compliant | |
|---|--|

Edited by: _____ date: _____ name: _____