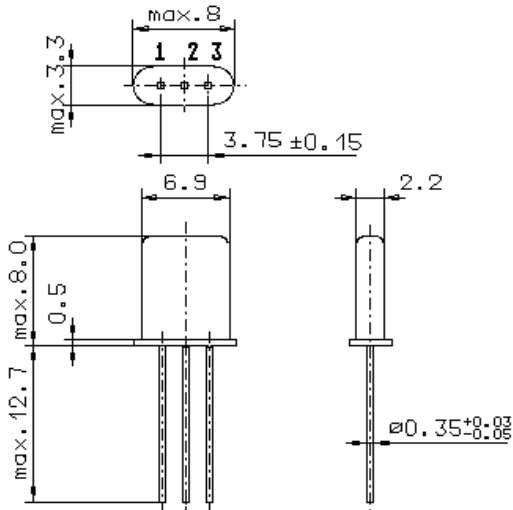


Specification for monolithic crystal filter

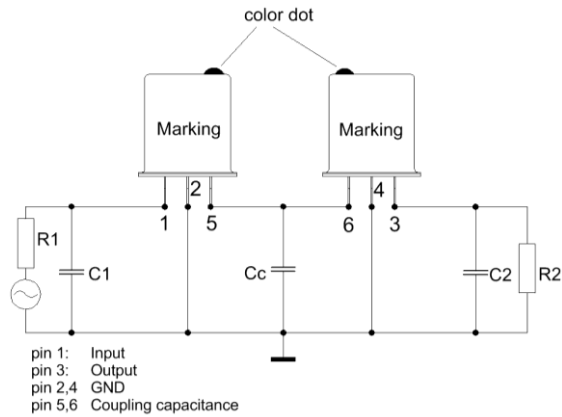
**MQF 70.0-2000/02**

**1. General**

1.1. Package: 2 x GH 9 ( each filter consists of a pair of two matched GH9 packages )



GH9



- |                                   |                  |
|-----------------------------------|------------------|
| 1.2. Type name:                   | MQF 70.0-2000/02 |
| 1.3. Number of poles:             | 4                |
| 1.4. Operable temperature range:  | -30°C to +80°C   |
| 1.5. Operating temperature range: | -20°C to +70°C   |
| 1.6. Storage temperature range:   | -55°C to +85°C   |

**2. Electric values**

- |   |                          |
|---|--------------------------|
| 2.1. Nominal centre frequency fo:   | 70.0 MHz                 |
| <b>2.2. Pass band</b>   |                          |
| 2.2.1. Bandwidth between 3 dB - frequencies:                                | ≥ fo ± 10.0 kHz          |
| 2.2.2. Ripple:  | ≤ 2.0 dB at fo ± 8.0 kHz |
| 2.2.3. Insertion loss:<br>( measured on smallest attenuation in pass band ) | ≤ 3.0 dB                 |
| <b>2.3. Stop band</b>   |                          |
| 2.3.1. fo ± 40 kHz  | ≥ 35 dB                  |
| 2.3.2. fo ± 910 kHz   | ≥ 70 dB                  |
| 2.3.3. Spurious responses:  | ≥ 30 dB                  |
| 2.4. Terminating impedance ( input and output ):                            | 2.5 kΩ // -1.0 pF        |
| 2.4.1. Coupling capacitance C <sub>c</sub> :                                | -1.0 pF                  |

- |                            |   |
|----------------------------|---|
| 3. Marking:                | manufacturer, date code<br>70.0-2000/02 |
| 4. Environment conditions: | Corresponding to Vectron standard CF001 |