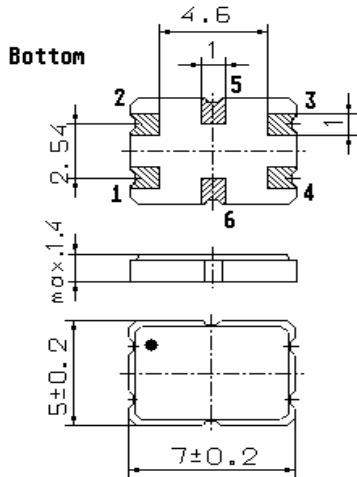


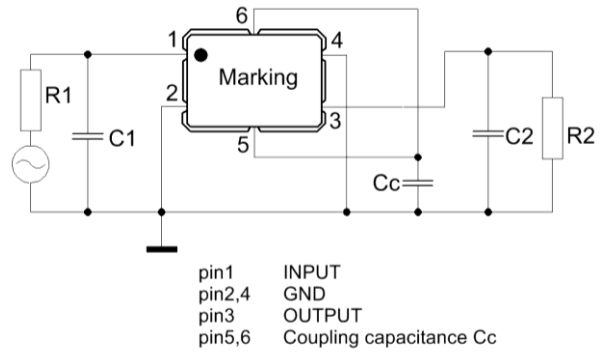
Specification for monolithic crystal filter: **MQF 70.0-2500/19**

1. General

1.1. Package:

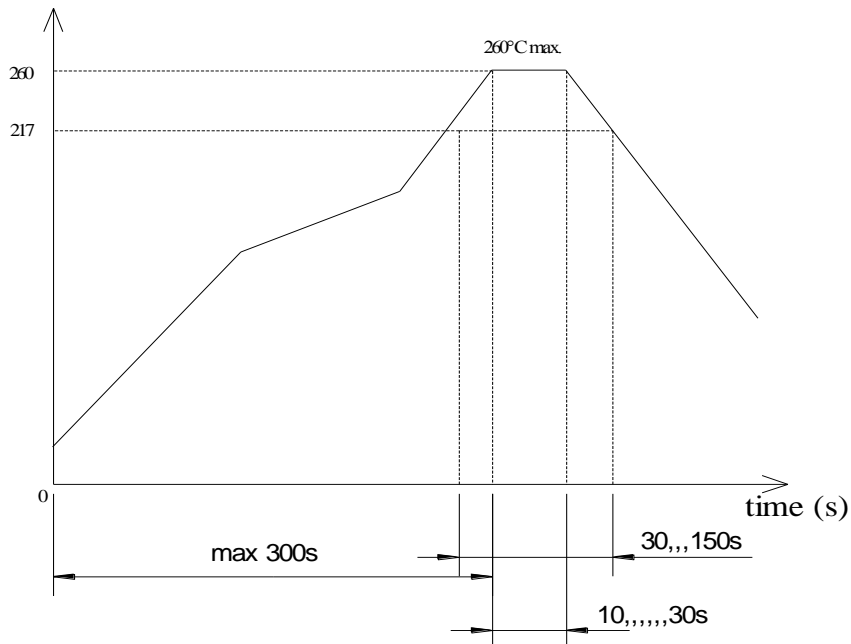


GS 2



- | | |
|-----------------------------------|------------------|
| 1.2. Type name: | MQF 70.0-2500/19 |
| 1.3. Number of poles: | 4 |
| 1.4. Operating temperature range: | -40°C to +85°C |
| 1.5. Storage temperature range: | -55°C to +85°C |

temperature (°C)



Reflow soldering: three times max.

2. Electric values

2.1. Nominal centre frequency f_0 : 70.0 MHz

2.2. Pass band

- 2.2.1. Bandwidth between 3 dB - frequencies: $> f_0 \pm 12.5$ kHz
2.2.2. Ripple in pass band ($f_0 \pm 8.0$ kHz) < 1.0 dB peak to peak
2.2.3. Insertion loss: < 4.5 dB
(measured on smallest attenuation in pass band)

2.3. Stop band

- 2.3.1. $f_0 \pm 29$ kHz > 20 dB
2.3.2. $f_0 \pm 46$ kHz > 40 dB
2.3.3. $f_0 \pm 80$ kHz > 60 dB
2.3.4. Alternate Attenuation at $f_0 - 1.0$ MHz > 80 dB (except spurious)

2.4. Terminating impedance R//C (input and output): $600 \Omega // 1.5$ pF

2.4.1. Coupling capacitance C_c : 7.0 pF

- 2.5. Maximum input power level
working: -10 dBm
non-damaged: 0 dBm

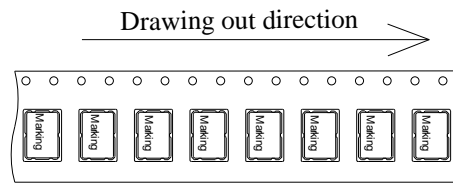
3. Marking: • M70A12
yyww

4. Environment conditions: Corresponding to Vectron standard CF001

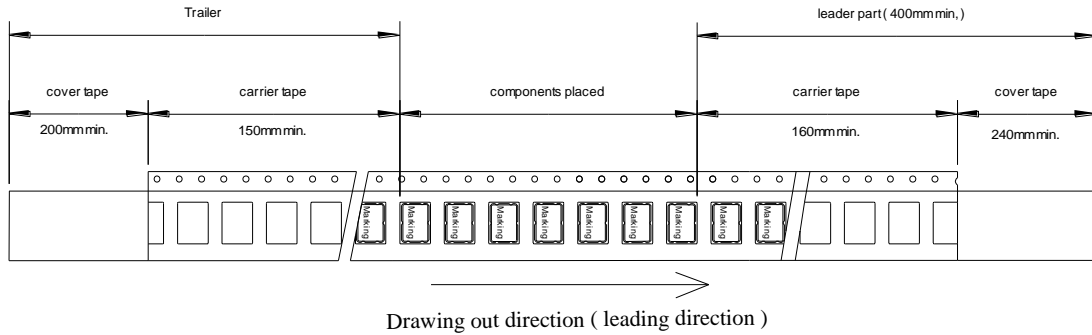
5. Filters are Pb-free and 2002 /95 / EC RoHS compliant

6. Packing

maximum 1000 pcs. / reel

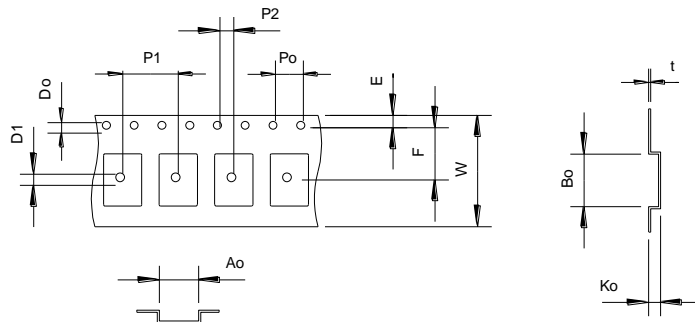


Tape dimension (mm)



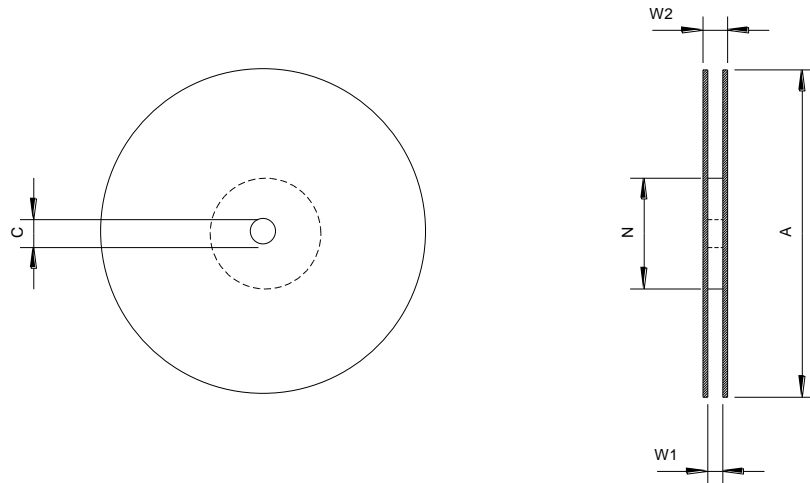
Tape (all dimensions in mm)

- W: 16.0 ± 0.1
- Po: 4.0 ± 0.1
- P1: 8.0 ± 0.1
- P2: 2.0 ± 0.1
- Do: $1.5 + 0.1 / - 0$
- D1: $1.6 + 0.1 / - 0$
- E: 1.75 ± 0.1
- F: 7.5 ± 0.1
- Ko: 1.7 ± 0.1
- Ao: 5.6 ± 0.1
- Bo: 7.6 ± 0.1
- t: 0.3 ± 0.05



Reel (all dimension in mm)

- A: $\varnothing 178 \pm 2$
- C: $\varnothing 13 \pm 0.5$
- N: $\varnothing 60 \pm 1$
- W1: 17.5 ± 1.5
- W2: 21.5 ± 1.5



Edited by: _____ date: _____ name: _____