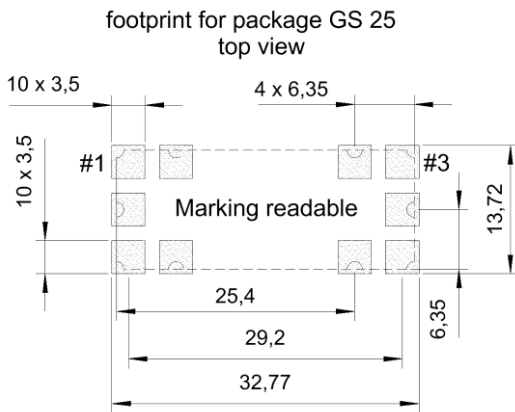
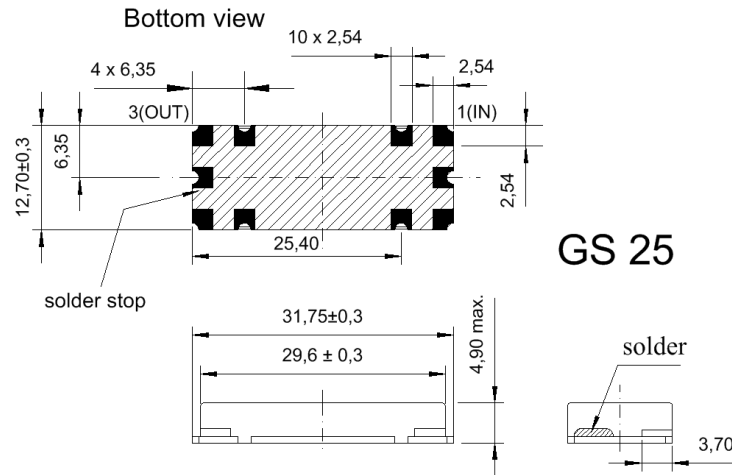


Specification for monolithic crystal filter

**MQF 70.0-3200/06**

1. General

1.1. Package:

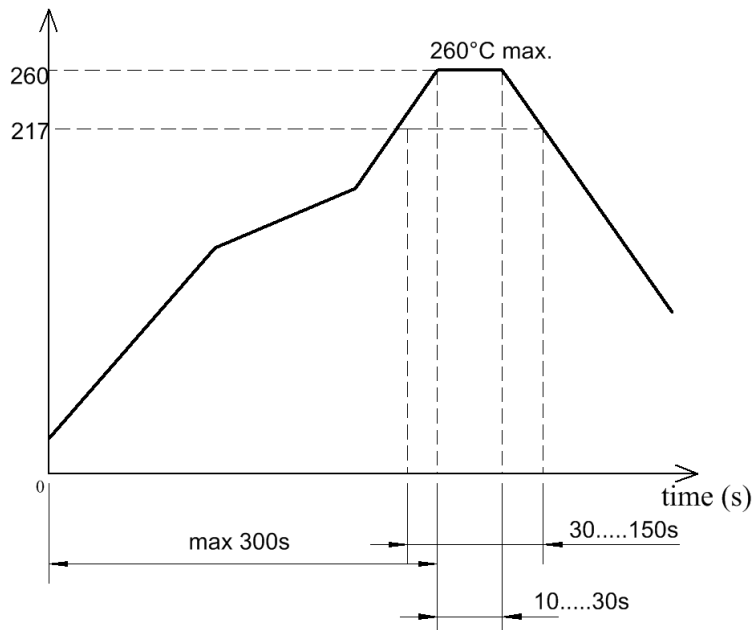


pin connection:

#1 Input  
#3 Output  
all other pads GND

temperature (°C)

Reflow soldering: three times max.



- |                                   |                  |
|-----------------------------------|------------------|
| 1.2. Type name:                   | MQF 70.0-3200/06 |
| 1.3. Number of poles:             | 4                |
| 1.4. Operating temperature range: | -40°C to +85°C   |
| 1.5. Storage temperature range:   | -55°C to +85°C   |

## 2. Electric values

- |                                       |          |
|---------------------------------------|----------|
| 2.1. Nominal centre frequency $f_0$ : | 70.0 MHz |
|---------------------------------------|----------|

### 2.2. Pass band

- |  |  |
|--|--|
| 2.2.1. Centre frequency $f_c$ at +25°C:      | 70.0 MHz $\pm$ 1.0 kHz                   |
| 2.2.2. Bandwidth between 6 dB - frequencies: | > $f_c \pm 16$ kHz<br>< $f_c \pm 20$ kHz |

- |                             |          |
|-----------------------------|----------|
| 2.2.3. Ripple in pass band: | Gaussian |
|-----------------------------|----------|

- |   |          |
|---|----------|
| 2.2.4. Insertion loss:<br>( measured on smallest attenuation in pass band ) | < 4.0 dB |
|---|----------|

- |   |               |
|---|---------------|
| 2.2.5. Differential group delay at $f_c \pm 20.0$ kHz |               |
| -30.....+70°C:  | < 4.0 $\mu$ s |
| -40.....+85°C:  | < 5.5 $\mu$ s |

### 2.3. Stop band

- |                              |                             |
|------------------------------|-----------------------------|
| 2.3.1. $f_c \pm 100$ kHz     | > 60 dB                     |
| 2.3.2. Alternate attenuation | > 75 dB ( except spurious ) |
| 2.3.3. Spurious responses    | > 50 dB                     |

- |  |   |
|--|---|
| 2.4. Terminating impedance ( input and output ): | 50 $\Omega$ // 0 pF                           |
| 2.5. Maximum input power level:                  | -5 dBm / +10 dBm<br>( working / non-damaged ) |

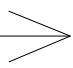
## 3. Marking:

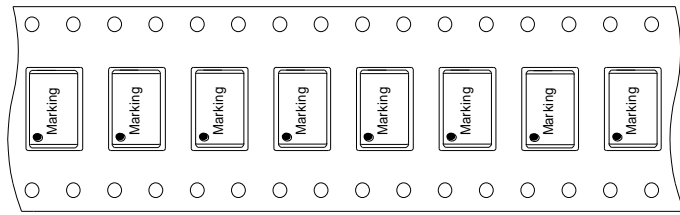


- |                            |                                |
|----------------------------|--------------------------------|
| 4. Environment conditions: | Corresponding to Vectron CF001 |
|----------------------------|--------------------------------|

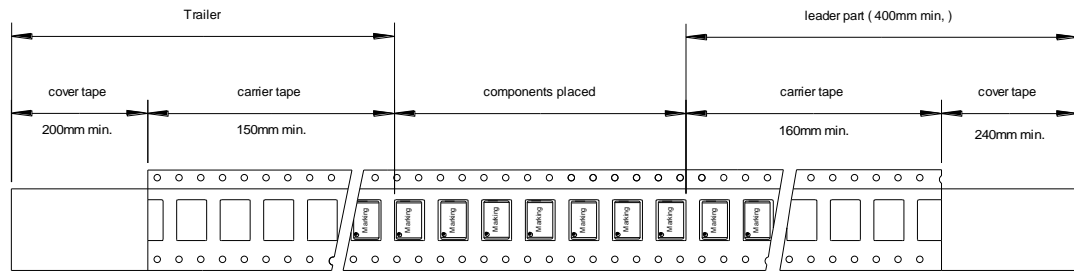
# 5. Taping

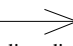
Maximum 600 pcs. / reel

Drawing out direction 



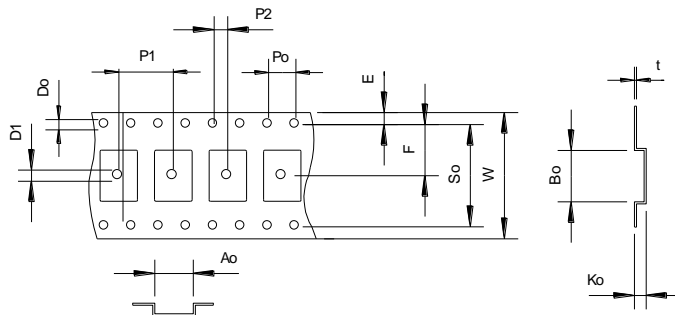
Tape dimension ( mm )



Drawing out direction ( leading direction ) 

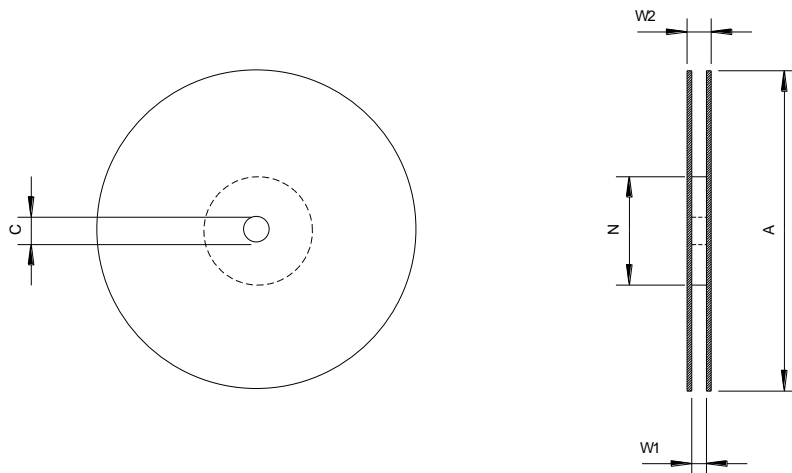
Tape ( all dimensions in mm )

- W: 44.0 ± 0.3
- So: 40.4 ± 0.1
- Po: 4.0 ± 0.1
- P1: 20.0 ± 0.1
- F: 20.2 ± 0.15
- Ko: 5.1 ± 0.1
- Ao: 13.2 ± 0.1
- Bo: 32.25 ± 0.1
- t: 0.4 ± 0.05



Reel ( all dimension in mm )

- A: ø 330 max.
- C: ø 21.8 ± 0.5
- N: ø 100 min.
- W1: 45.5 ± 0.25
- W2: 49.5 ± 0.5



Edited by: \_\_\_\_\_ date: \_\_\_\_\_ name: \_\_\_\_\_