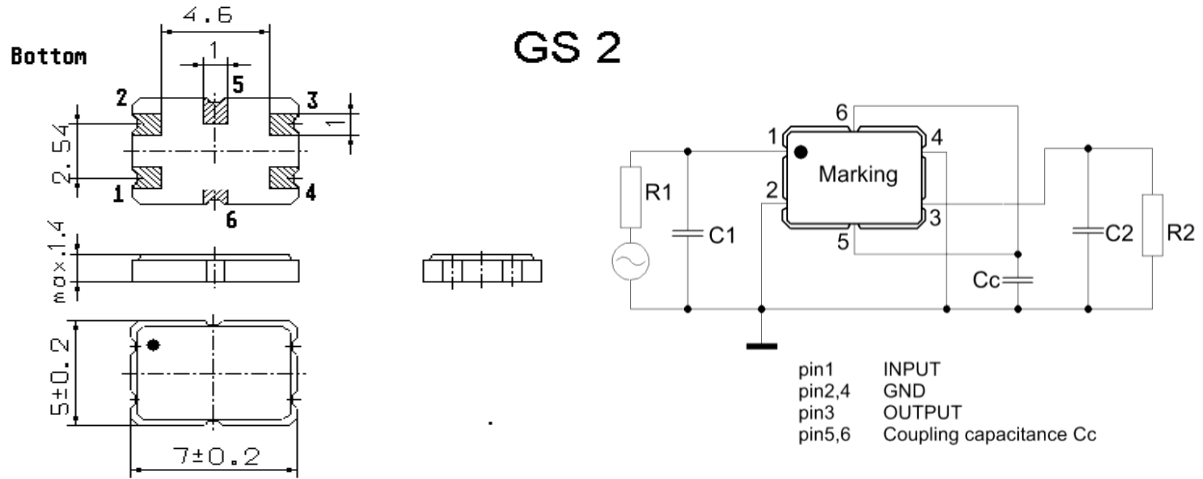


Specification for monolithic crystal filter: **MQF 73.3 - 2100/09**

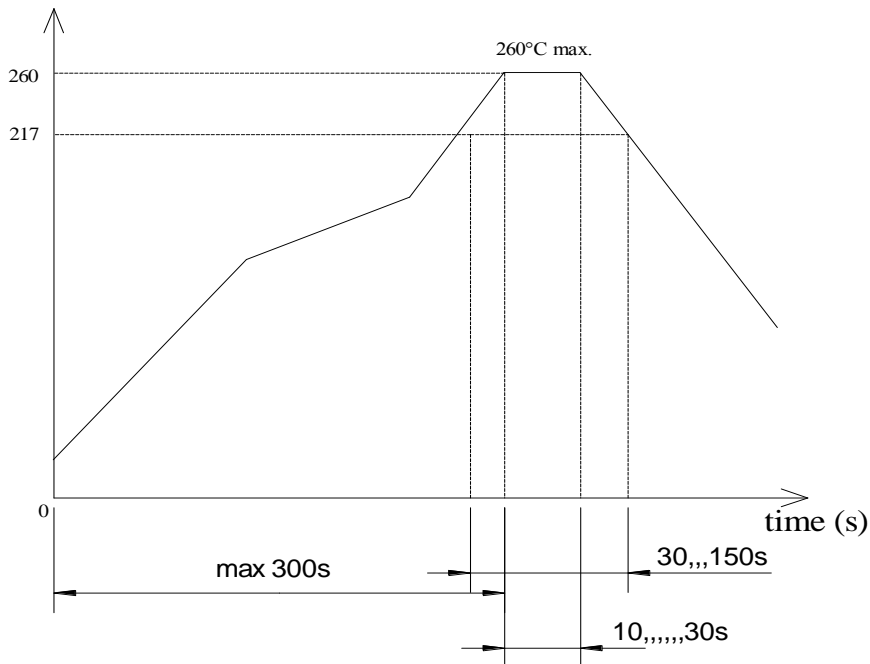
1. General

1.1. Package:



- | | |
|-----------------------------------|------------------|
| 1.2. Type name: | MQF 73.3-2100/09 |
| 1.3. Number of poles: | 4 |
| 1.4. Operating temperature range: | -30°C to +85°C |
| 1.5. Storage temperature range: | -45°C to +85°C |

temperature (°C)



Reflow soldering: three times max.

2. Electric values

- 2.1. Nominal centre frequency f_0 : 73.3 MHz
2.1.1 Center frequency f_c at 25°C 73.3 MHz \pm 1.5 kHz

2.2. Pass band

- 2.2.1. Bandwidth between 3 dB - frequencies: $> f_0 \pm 10.0$ kHz
2.2.2. Ripple: < 1.0 dB at $f_0 \pm 8.0$ kHz
2.2.3. Insertion loss: < 2.5 dB
(measured on smallest attenuation in pass band)

2.3. Stop band

- 2.3.1. $f_0 \pm 16$ kHz at +25°C > 5 dB
2.3.2. $f_0 \pm 25$ kHz > 15 dB
2.3.3. $f_0 \pm 41$ kHz > 40 dB
2.3.4. Alternate Attenuation > 45 dB (except spurious)

2.3.5. Group delay distortion $f_0 \pm 8$ kHz < 20 μ s
2.3.6. Group delay absolute at f_0 < 45 μ s

- 2.4. Terminating impedance R//C (input and output): 620 Ω // 1.0 pF

- 2.4.1. Coupling capacitance C_c : 5.5 pF

- 2.5. Maximum input power level +0 dBm

2.6. Intermodulation

- 2.6.1. frequency 1: $f_0 \pm 50$ kHz
2.6.2. frequency 2: $f_0 \pm 100$ kHz
2.6.3. Input power level: -20 dBm
2.6.4. IM: > 80 dB

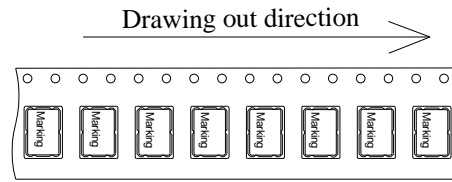
3. Marking: • M73300
VI yyww

4. Environment conditions: Corresponding to Vectron standard CF001

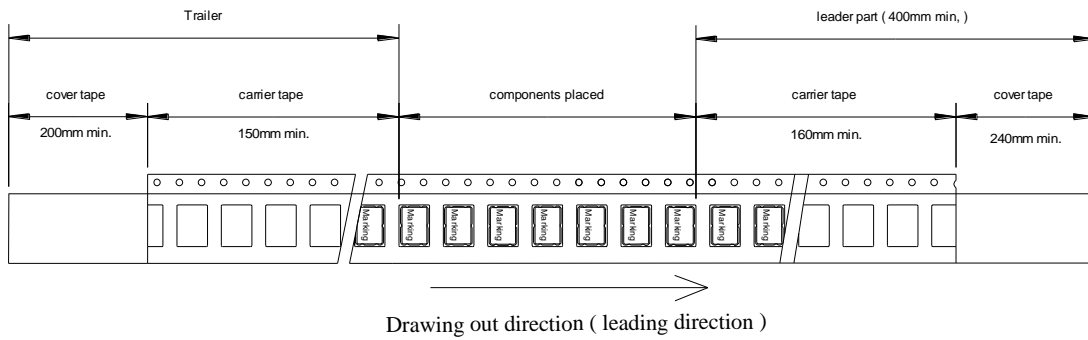
5. Filters are Pb-free and 2002 /95 / EC RoHS compliant

6. Packing

maximum 1000 pcs. / reel

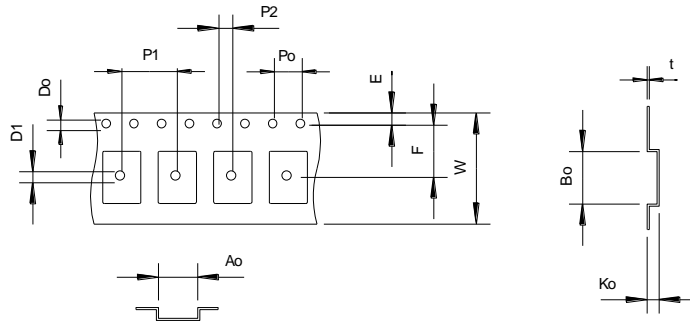


Tape dimension (mm)



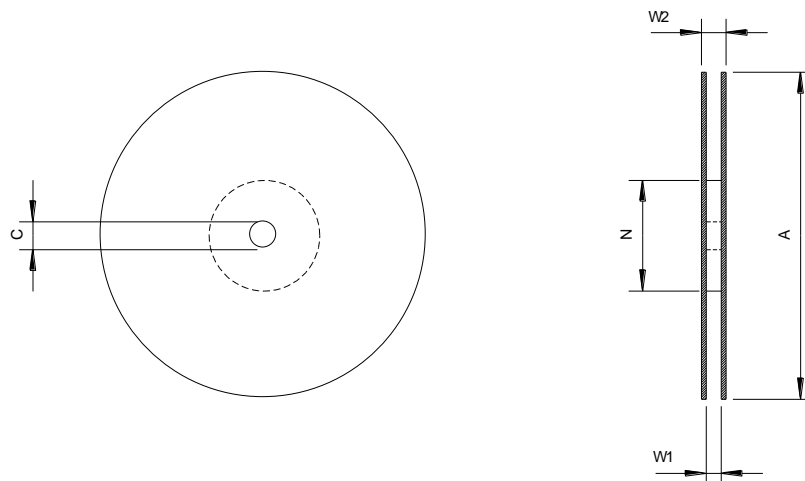
Tape (all dimensions in mm)

- W: 16.0 ± 0.1
- Po: 4.0 ± 0.1
- P1: 8.0 ± 0.1
- P2: 2.0 ± 0.1
- Do: 1.5 + 0.1 / - 0
- D1: 1.6 + 0.1 / - 0
- E: 1.75 ± 0.1
- F: 7.5 ± 0.1
- Ko: 1.7 ± 0.1
- Ao: 5.6 ± 0.1
- Bo: 7.6 ± 0.1
- t: 0.3 ± 0.05



Reel (all dimension in mm)

- A: $\varnothing 178 \pm 2$
- C: $\varnothing 13 \pm 0.5$
- N: $\varnothing 60 \pm 1$
- W1: 17.5 ± 1.5
- W2: 21.5 ± 1.5



Edited by: _____ date: _____ name: _____