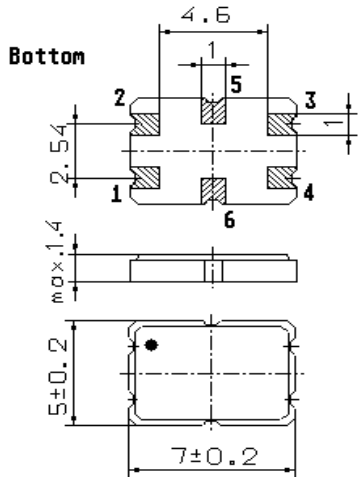


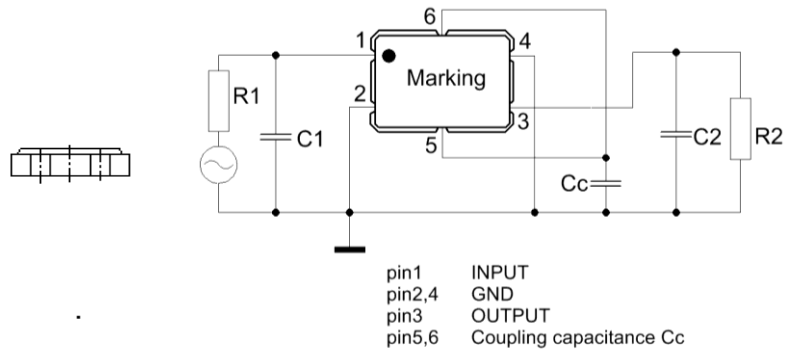
Specification for monolithic crystal filter: **MQF 73.3 - 2500/02**

1. General

1.1. Package:

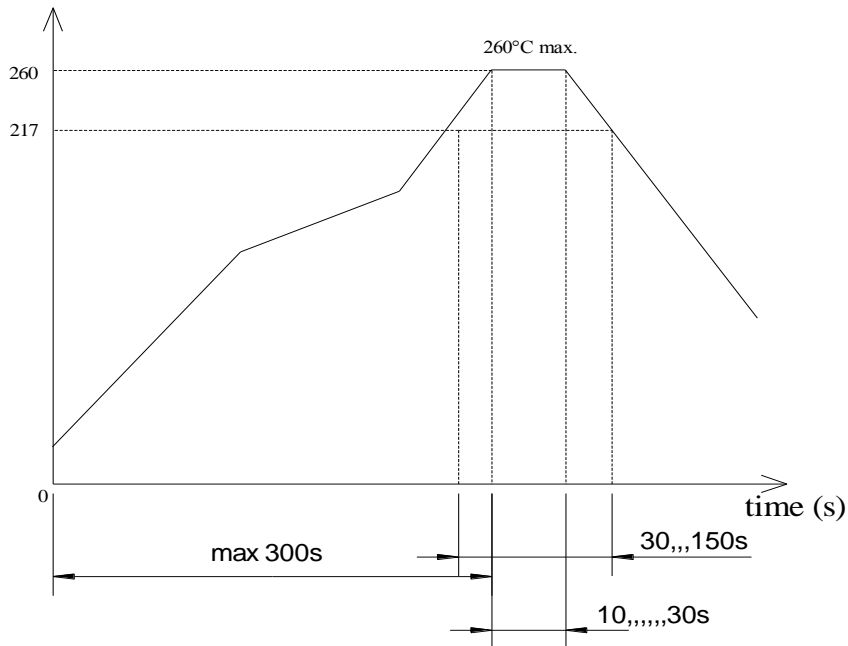


GS 2



- | | |
|-----------------------------------|------------------|
| 1.2. Type name: | MQF 73.3-2500/02 |
| 1.3. Number of poles: | 4 |
| 1.4. Operating temperature range: | -30°C to +85°C |
| 1.5. Storage temperature range: | -40°C to +90°C |

temperature (°C)



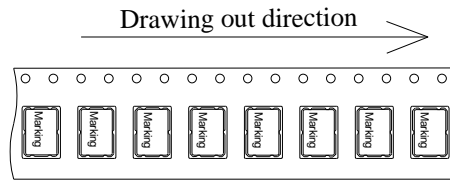
Reflow soldering: three times max.

2. Electric values

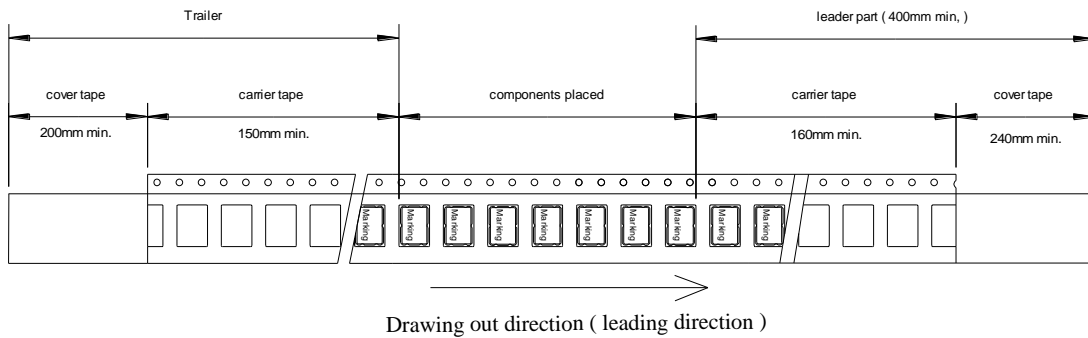
- 2.1. Nominal centre frequency f_0 : 73.30 MHz
2.1.1 Centre frequency f_c at +25°C 73.30 MHz \pm 1.5 kHz
- 2.2. **Pass band**
- 2.2.1. Bandwidth between 3 dB - frequencies: $> f_c \pm 12.5$ kHz
2.2.2. Ripple in pass band: < 1.0 dB peak to peak
2.2.3. Insertion loss: < 6.0 dB
(measured on smallest attenuation in pass band)
2.2.4. Differential group delay at $f_c \pm 9$ kHz < 16 μ s
- 2.3. **Stop band**
- 2.3.1. $f_c \pm 25$ kHz > 15 dB
2.3.2. $f_c \pm 50$ kHz > 40 dB
2.3.3. Alternate Attenuation at $f_c \pm 1.0$ MHz > 70 dB (except spurious)
- 2.4. Terminating impedance R//C (input and output): 800 Ω // 1.5 pF
2.4.1. Coupling capacitance C_c : 4.0 pF
- 2.5. Maximum input power level
working: -10 dBm
non-damaged: 0 dBm
- 2.6. Out band Intermodulation (IP3 $> +20$ dBm)
- test tones: $f_0 \pm 25$ kHz / $f_0 \pm 50$ kHz
- Input power level: -20 dBm
- 3rd order intermodulation products at f_0 : > 80 dB (down from either of the -20 dBm test tones)
3. Marking on the case: • M73325A
VI yyww
4. Environment conditions: Corresponding to Vectron standard CF001
5. Filters are Pb-free and 2002 /95 / EC RoHS compliant

6. Packing

maximum 1000 pcs. / reel

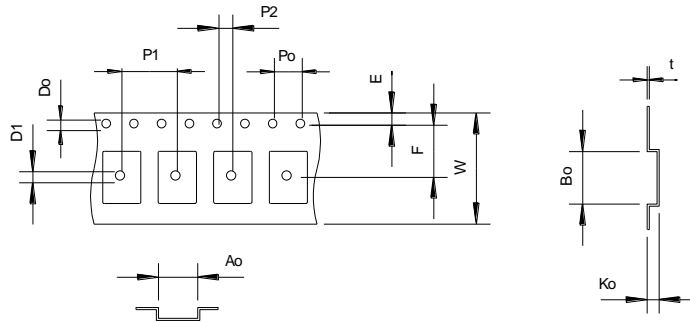


Tape dimension (mm)



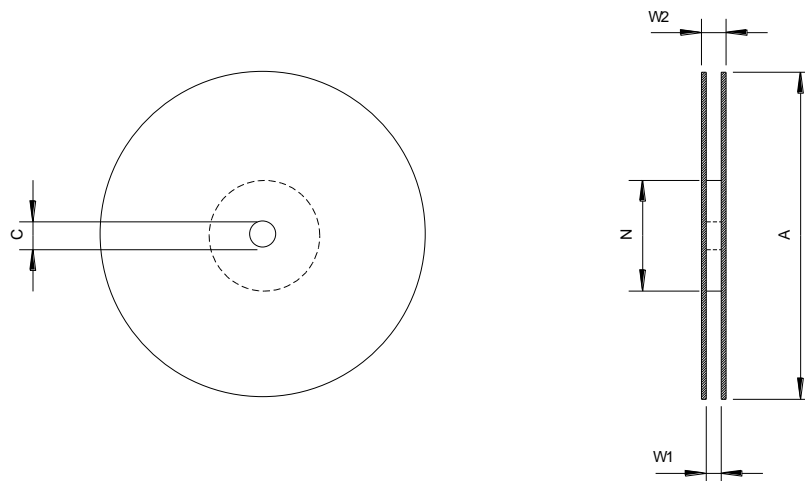
Tape (all dimensions in mm)

- W: 16.0 ± 0.1
- Po: 4.0 ± 0.1
- P1: 8.0 ± 0.1
- P2: 2.0 ± 0.1
- Do: 1.5 + 0.1 / - 0
- D1: 1.6 + 0.1 / - 0
- E: 1.75 ± 0.1
- F: 7.5 ± 0.1
- Ko: 1.7 ± 0.1
- Ao: 5.6 ± 0.1
- Bo: 7.6 ± 0.1
- t: 0.3 ± 0.05



Reel (all dimension in mm)

- A: $\varnothing 178 \pm 2$
- C: $\varnothing 13 \pm 0.5$
- N: $\varnothing 60 \pm 1$
- W1: 17.5 ± 1.5
- W2: 21.5 ± 1.5



Edited by: _____ date: _____ name: _____