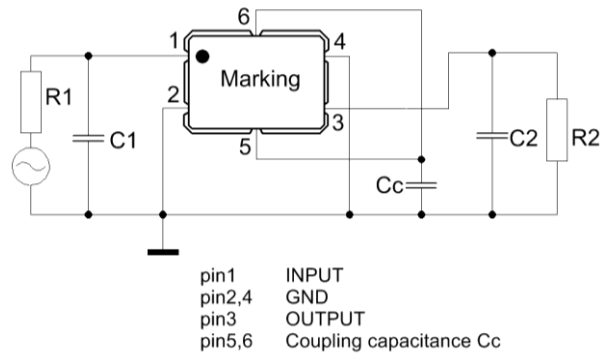
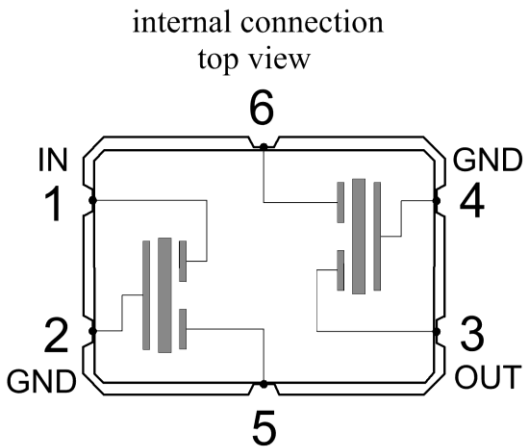
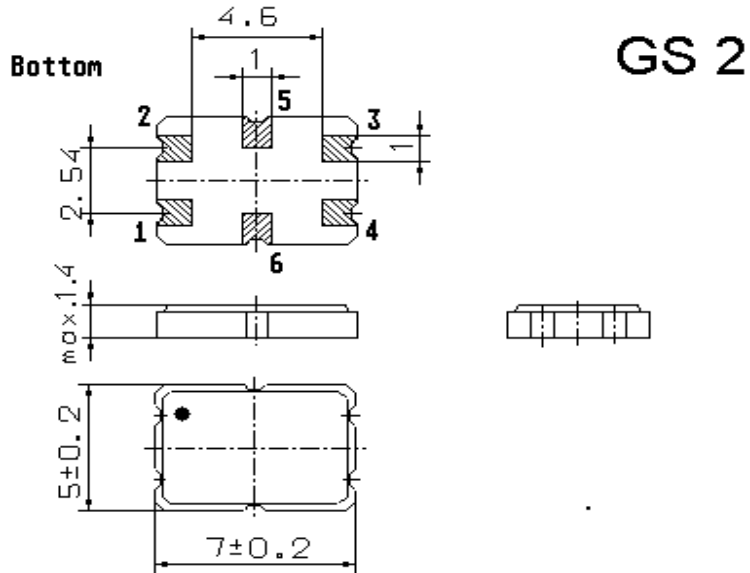


Specification for monolithic crystal filter:

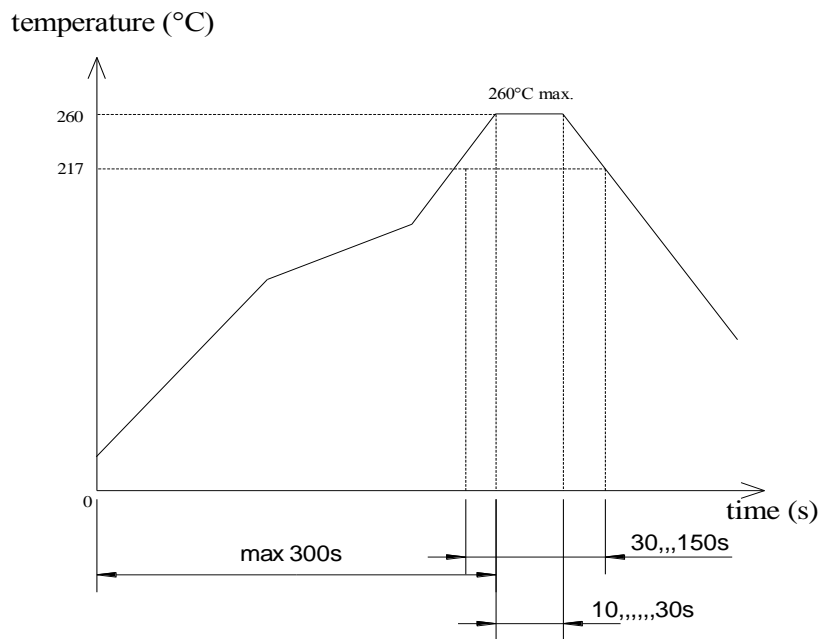
**MQF 73.35 - 1500/06**

**1. General**

1.1. Package:



- |                                   |                   |
|-----------------------------------|-------------------|
| 1.2. Type name:                   | MQF 73.35-1500/06 |
| 1.3. Number of poles:             | 4                 |
| 1.4. Operating temperature range: | -30°C to +85°C    |
| 1.5. Storage temperature range:   | -40°C to +85°C    |



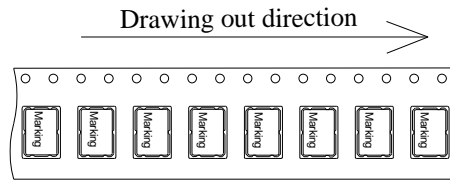
Reflow soldering: three times max.

## 2. Electric values

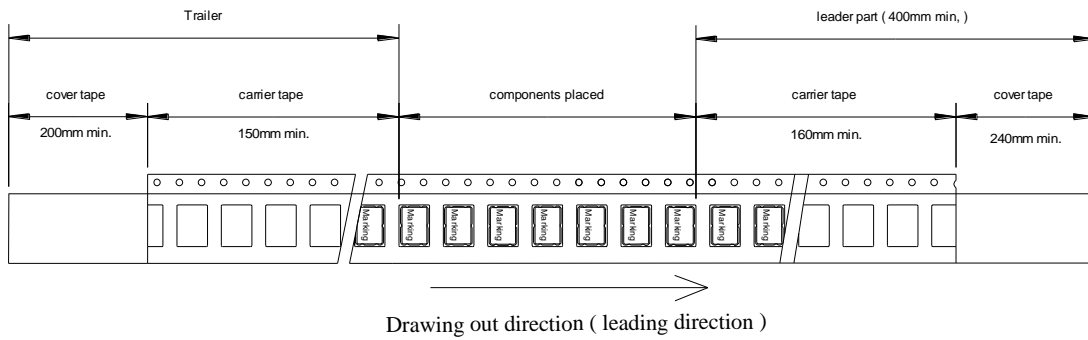
- |   |                                |
|---|--------------------------------|
| 2.1. Nominal centre frequency $f_0$ :                   | 73.35 MHz                      |
| <b>2.2. Pass band</b>                                   |                                |
| 2.2.1. Bandwidth between 3 dB - frequencies:            | $> f_0 \pm 7.5$ kHz            |
| 2.2.2. Ripple in pass band ( peak to peak ):            | $< 1.0$ dB                     |
| 2.2.3. Insertion loss:                                  | $< 5.0$ dB                     |
| ( measured on smallest attenuation in pass band )       |                                |
| <b>2.3. Stop band</b>                                   |                                |
| 2.3.1. $f_0 \pm 25$ kHz                                 | $> 25$ dB                      |
| 2.3.2. $f_0 \pm 910$ kHz                                | $> 80$ dB ( except spurious )  |
| 2.3.3. Spurious responses:                              | $> 40$ dB                      |
| 2.4. Terminating impedance R//C ( input and output ):   | $350 \Omega // 2.5$ pF         |
| Coupling capacitance ( $C_c$ ):                         | 13.0 pF                        |
| 2.5. Maximum input power (working/non-damaged ):        | -10 dBm / 0 dBm                |
| 3. Marking:   | • M7335A3<br>yyww              |
| 4. Environment conditions:                              | Corresponding to Vectron CF001 |
| 5. Filters are Pb-free and 2002 /95 / EC RoHS compliant |                                |

6. Packing

maximum 1000 pcs. / reel

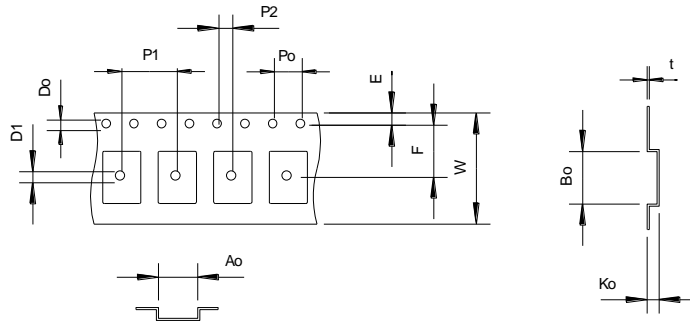


Tape dimension ( mm )



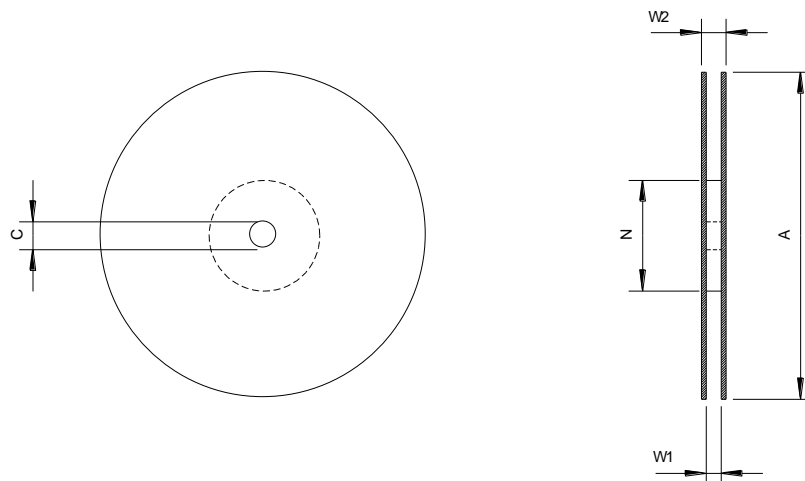
Tape ( all dimensions in mm )

- W: 16.0 ± 0.1
- Po: 4.0 ± 0.1
- P1: 8.0 ± 0.1
- P2: 2.0 ± 0.1
- Do: 1.5 + 0.1 / - 0
- D1: 1.6 + 0.1 / - 0
- E: 1.75 ± 0.1
- F: 7.5 ± 0.1
- Ko: 1.7 ± 0.1
- Ao: 5.6 ± 0.1
- Bo: 7.6 ± 0.1
- t: 0.3 ± 0.05



Reel ( all dimension in mm )

- A:  $\varnothing 178 \pm 2$
- C:  $\varnothing 13 \pm 0.5$
- N:  $\varnothing 60 \pm 1$
- W1: 17.5 ± 1.5
- W2: 21.5 ± 1.5



Edited by: \_\_\_\_\_ date: \_\_\_\_\_ name: \_\_\_\_\_