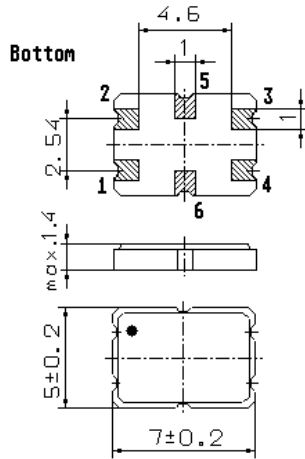


Specification for monolithic crystal filter:

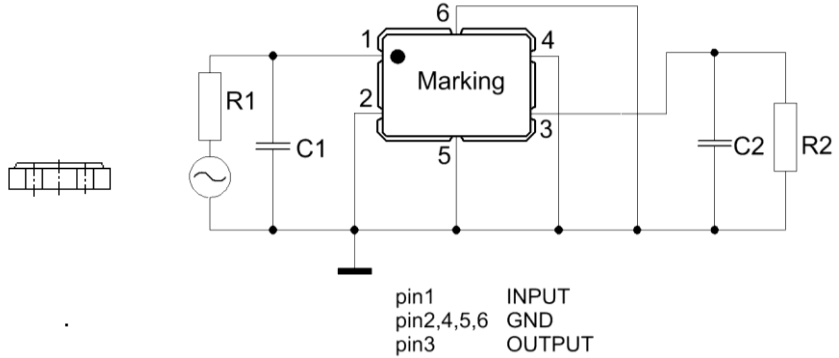
MQF 73.35-1600/01

1. General

1.1. Package:



GS 2



- | | |
|-----------------------------------|-------------------|
| 1.2. Type name: | MQF 73.35-1600/01 |
| 1.3. Number of poles: | 2 |
| 1.4. Operating temperature range: | -40°C to +85°C |
| 1.5. Storage temperature range: | -45°C to +85°C |

2. Electric values

- | | |
|-----------------------------------------------------------------------------|-------------------------------------|
| 2.1. Nominal centre frequency f_0 : | 73.35 MHz |
| 2.2. Pass band | |
| 2.2.1. Bandwidth between 3 dB - frequencies: | > ± 8.0 kHz |
| 2.2.2. Ripple: | < 1.0 dB at $f_0 \pm 5.0$ kHz |
| 2.2.3. Insertion loss:
(measured on smallest attenuation in pass band) | < 5.0 dB |
| 2.3. Stop band | |
| 2.3.1. $f_0 \pm 30$ kHz | > 15 dB |
| 2.3.2. Alternate attenuation | > 45 dB (except spurious) |
| 2.4. Terminating impedance (input and output): | 2500 Ω // -0.8 pF |
| 2.5. Input power level for reference measurement: | -10 dBm |
| 2.5.1. Maximum input power level without destruction: | 0 dBm |
| 3. Marking: | M7335A1
yyww |
| 4. Environment conditions: | according to Vectron standard CF001 |