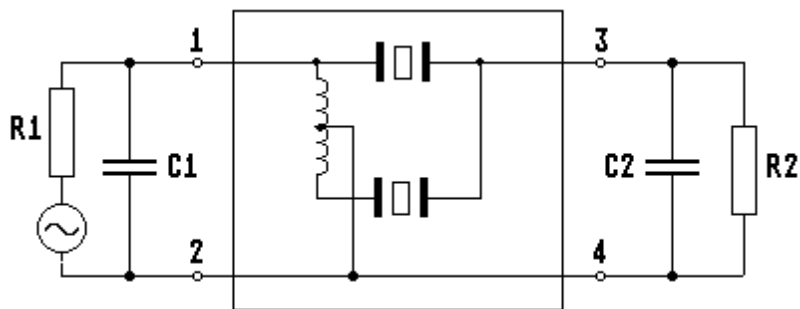
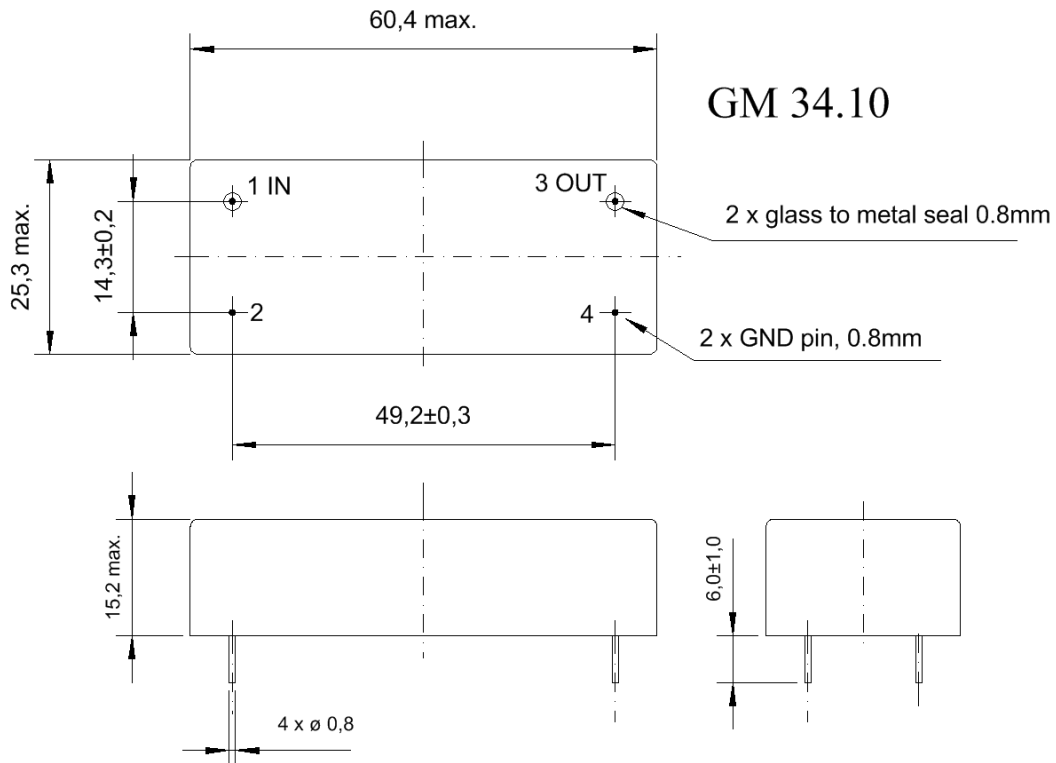


Specification for crystal filter: **QF 2.76635-0275/07**

1. General

1.1. Package: Hermetically sealed with steel cover



- | | |
|-----------------------------------|--------------------|
| 1.2. Type name: | QF 2.76635-0275/07 |
| 1.3. Number of poles: | 8 |
| 1.4. Operating temperature range: | 0°C to +50°C |
| 1.5. Storage temperature range: | -40°C to +100°C |

2. Electric values

- | | |
|--|----------------------------|
| 2.1. Nominal centre frequency (fo): | 2.766350 MHz |
| 2.2. Pass band | |
| 2.2.1. Bandwidth between 3 dB - frequencies: | > fo ± 1.375 kHz |
| 2.2.2. Ripple in pass band at fo ± 1.0 kHz: | < 2.0 dB (peak top peak) |

- 2.2.3. Differential group delay at $f_0 \pm 1.1$ kHz: < 1.0 ms
- 2.2.4. Insertion loss: < 3.5 dB
- 2.2.5. Return loss at $f_0 \pm 1.0$ kHz and at +25°C: < 12.0 dB

2.3. Stop band

- 2.3.1. $f_0 - 1.675$ kHz: > 20 dB
- 2.3.2. $f_0 - 2.09$ kHz: > 40 dB
- 2.3.3. $f_0 + 2.325$ kHz: > 30 dB
- 2.3.4. $f_0 - 2.8$ kHz: > 60 dB
- 2.3.5. $f_0 + 3.325$ kHz: > 60 dB
- 2.3.6. $f_0 \pm 5.0$ kHz..... $f_0 \pm 500$ kHz: > 80 dB (except spurious)

2.4. Terminating impedance (input and output): 50 Ω // 0 pF

2.5. Maximum input power level
(working / non-damaged): -10dBm / +10dBm

2.5.1. Input power level for reference measurements: -10 dBm

3. Marking:

top view



4. Environment conditions: Corresponding to Vectron standard CF001

Edited by: _____ date: _____ name: _____